

Date: 29/12/2018

To,

Environment Department,
15th Floor, Mantralaya, Mumbai
Govt. of Maharashtra,
Mumbai- 400 032

Subject: Post EC Monitoring report for Proposed Construction of Residential Project at S No: 69/5B/2, 69/8 & 70/1 to 17A/1 Kothrud, District Pune, Maharashtra by **Kumar Beharay properties LLP.**

Ref: Environmental Clearance Letter (SEIAA-EC-0000000538, Dated: 27th November, 2018)

Dear Sir,

This is in reference to the requirement stated in the 2. Environmental Clearance Letter (SEIAA-EC-0000000538, Dated: 27th November, 2018) for our above mentioned Residential Project at S No: 69/5B/2, 69/8 & 70/1 to 17A/1 Kothrud, District Pune, Maharashtra by **Kumar Beharay properties LLP**

In accordance to your requirement please find enclosed herewith following documents for Post EC for the subject project for your kind reference

1. Data sheet (July'18-December'18)
2. Environmental Clearance Letter (SEIAA-EC-0000000538, Dated: 27th November, 2018)
3. Environmental Clearance Letter (No. SEAC-2010/CR.727/TC.2 Dated: 26th December, 2011)
4. Compliance report
5. Post EC Environment monitoring report (July'18-Sept'18)
6. Post EC Environment monitoring report (Oct'18-December'18)
7. Annexure I- Project details
8. Copy of News paper Advertisement (English & Local language)
9. Project Status report
10. Copy of CTE

Hope you will find the above in the line with your requirement.

Thanking you,

Yours faithfully,

For, **Kumar Beharay properties LLP**

CC to:

1. Shri B.R.Naidu, Senior Environmental Engineer & Incharge, Parivesh Bhawan opp., VMC ward office No. 10, Subhanpura, Vadodara-390 023
2. Sri Kanwarjit Singh APCCF (C), Ministry of Environment and Forest & Climate Change, Regional Office (WCZ), Ground Floor, East Wing, New Secretariat Building, Civil Line, Nagpur- 440001
3. The member secretary, Maharashtra Pollution Control Board, Kalpataru Point, 3rd & 4th floor, Opp. Line Planet, Sion Circle, Mumbai- 400022, India

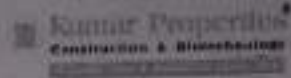
Shri B.R.Naidu
10-1-19

आ. व. विधिक,
पथारवाडा, मुंबई
मंत्रालय, मुंबई

O/C



KUMAR BEHARAY PROPERTIES LLP.
Housing & Construction Industries
Construction Plaza, 79/1/10 B, Deccan Gymkhana,
Shankar Institute Road, Pune-411004, India
Tel : 25679675, 25679602, Fax : (020) 25679543
Email: kumarbeharaygroup@yahoo.co.in



✓ To,

Date: 29/12/2018

Shri B.R.Naidu,
Senior Environmental Engineer & Incharge,
Parivesh Bhawan opp., VMC ward office No. 10,
Subhanpura, Vadodara-390 023

Subject: Post EC Monitoring report for Proposed Construction of Residential Project at S No: 69/5B/2, 69/8 & 70/1 to 17A/1 Kothrud, District Pune, Maharashtra by **Kumar Beharay properties LLP**

Ref: Environmental Clearance (SEIAA-EC-0000000538, Dated: 27th November, 2018)

Dear Sir,

This is in reference to the requirement stated in the Environmental Clearance (SEIAA-EC-0000000538, Dated: 27th November, 2018) for our above mentioned Residential Project at S No: 69/5B/2, 69/8 & 70/1 to 17A/1 Kothrud, District Pune, Maharashtra by **Kumar Beharay properties LLP**

In accordance to your requirement please find enclosed herewith following documents for Post EC for the subject project for your kind reference

1. Data sheet (July'18-December'18)
2. Environmental Clearance Letter (SEIAA-EC-0000000538, Dated: 27th November, 2018)
3. Environmental Clearance Letter (No. SEAC-2010/CR.727/TC.2 Dated: 26th December, 2011)
4. Compliance report
5. Post EC Environment monitoring report (July'18-Sept'18)
6. Post EC Environment monitoring report (Oct'18-December'18)
7. Annexure I- Project details
8. Copy of News paper Advertisement (English & Local language)
9. Project Status report
10. Copy of CTE

Hope you will find the above in the line with your requirement.

Thanking you,

Yours faithfully,

For, **Kumar Beharay properties LLP**

CC to:

1. The member secretary, Maharashtra Pollution Control Board, Kalpataru Point, 3rd & 4th floor, Opp. Cine Planet, Sion Circle, Mumbai- 400022, India
2. Sri Kanwarjit Singh APCCF (C), Ministry of Environment and Forest & Climate Change, Regional Office (WCZ), Ground Floor, East Wing, New Secretariat Building, Civil Line, Nagpur- 440001
3. The Environmental Secretary, Room No. 217, 2nd floor, Environment Department, Govt. of Maharashtra Mantralaya, Mumbai- 400 032

Regional Pollution Control Board
Regional Director's Office (WCZ)
Parivesh Bhawan,
New Ward Office No.10, Subhanpura,
Vadodara-390 023.

<u>MONITORING THE IMPLEMENTATION OF ENVIRONMENTAL SAFEGUARDS</u>	
MINISTRY OF ENVIRONMENT & FORESTS	
Regional Office (W), Nagpur	
Monitoring Report	
<u>DATA SHEET</u>	
Date: July, 2018 – December, 2018	
1.	Project type: River –Valley/ Mining/ Industry/ Thermal/ Nuclear/ other (specify) : Other – Residential (Construction Project "RKB")
2.	Name of the project : "RKB"
3.	Clearance letter (s)/OM no. and date : SEAC-2010/CR.727/TC.2 Dated: 26 th December, 2011
4.	Location : S. No 69/5B/2, 69/8 & 70/1 to 17A/1 Kothrud, District Pune, Maharashtra
	(a) District : Pune
	(b) State : Maharashtra
	(c) Latitude / Longitude : Latitude: 18° 31' N Longitude: 73° 51' E
5.	(a) Address for correspondence Add.: Kumar Capital, 2 nd Floor, 2413, east Street Camp, Pune 411001. Maharashtra
	(b) Address of Executive Project Engineer/ Manager (with pin code / Fax) : Mr. Manish Jain, (Director) M/s. Kumar Beharay Properties LLP Kumar Capital, 2 nd Floor, 2413, east Street Camp, Pune 411001. Maharashtra
6.	Salient Features
	(a) Of the project : Refer Annexure 1-Project Details
	(b) Of Environmental Management Plans : Refer Annexure 1-Project Details
7.	Break up of the project area
	(a) Submergence area: forest & non forest. : Nil
	(b) Others : The entire project area is non-agricultural land.
8.	Break up of the project affected population with enumeration of those losing houses /dwelling units only, agricultural land only, both dwelling units & agricultural land & landless labourers /artisan. : The Proposed Project is located at the vacant land only clearing of small sized vegetation. Therefore, no population was dislocated or affected due to proposed Project.
	(a) SC, ST /Adivasis : Nil

	(b) Others (Please indicate whether these figures are based on any scientific and systematic survey carried out or only provisional figures, if a survey is carried out give details and years of survey)	:	Nil
9.	Financial details		
	(a) Project cost as originally planned and subsequent revised estimates and the year of price reference.	:	Project cost (Planned): Rs.207.00 Crores
	(b) Allocation made for environmental management plans with item wise and year wise break-up.	:	Attached As Annexure – II
	(c) Benefit cost ratio/Internal rate of Return and the year of assessment	:	Yet to finalise.
	(d) Whether (c) include the cost of environmental management as shown in the above.	:	Not applicable since (c) is yet to finalise.
	(e) Actual expenditure incurred on the project so far	:	Yet to finalise.
	(f) Actual expenditure incurred on the environmental management plans so far	:	Yet to finalise.
10.	Forest land requirement.	:	There is no forest land involved.
	(a) The status of approval for diversion of forest land for non-forestry use	:	Not applicable
	(b) The status of clearing felling	:	Not applicable
	(c) The status of compensatory afforestation, if any	:	Not applicable
	(d) Comments on the viability & sustainability of compensatory afforestation programme in the light of actual field experience so far	:	Not applicable

11.	The status of clear felling in non-forest areas (such as submergence area of reservoir, approach roads), if any with quantitative information	:	Nil
12.	Status of construction.	:	
	a) Date of commencement (Actual and/or planned)	:	September,2012
	b) Date of completion (Actual and/or planned)	:	
13.	Reason for the delay if the project is yet to start.	:	Not applicable
14.	Dates of site visits	:	No
	(a) The dates on which the project was monitored by the Regional Office on previous occasions, if any	:	No
	(b) Date of site visit for this monitoring report	:	August, 2018 and November, 2018. <i>(Env. Monitoring report done by Green Circle, Inc. is attached herewith)</i>
15.	Details of correspondence with project authorities for obtaining action plans / information on status of compliance to safeguards other than the routine letters for logistic support for site visits. (The first monitoring report may contain the details of all the letters issued so far, but the later reports may cover only the letters issued subsequently.	:	Letter issued by MoEF: EC No. SEAC-2010/CR.727/TC.2 Dated: 26 th December, 2011 Consent to Establish: Consent No. MPCBHQ/ROHQ/Pune/CE/CC/523 Dated 23 rd August 2012

Government of Maharashtra

File No.: SEAC- 2010/CR.727/TC.2
Environment department,
Room No. 217, 2nd floor,
Mantralaya Annexe,
Mumbai 400 032
Date: 26th December, 2011

To,
M/s. Rathi, Kumar and Beharay.
Kumar Capital, 1st floor, 2413,
East street, Camp, Pune – 411 001
Telephone No. : 020 - 26350660

**Subject: Proposed Residential Project at Kothrud, Pune by M/s Rathi, Kumar and Beharay.
- Environmental clearance regarding.**

Sir,

This has reference to your communication on the above mentioned subject. The proposal was considered as per the EIA Notification - 2006, by the State Level Expert Appraisal Committee, Maharashtra in its 43rd meeting and decided to recommend the project for prior environmental clearance to SEIAA. Information submitted by you has been considered by State Level Environment Impact Assessment Authority in its 40th Meeting held on 12th/13th October, 2011.

2. It is noted that the proposal is for grant of Environmental Clearance for Proposed Residential Project at Kothrud, Pune M/s Rathi, Kumar and Beharay. SEAC considered the project under screening category 8 (a) as per EIA Notification 2006.

Brief Information of the project is summarized as below-

Name of the Project	:	Residential project
Project Proponent	:	M/s Rathi, Kumar and Beharay
Location of the project	:	S No. 69/5B/2, 68/8 and 70/1 to 17A/1 Kothrud, Pune
Type of Project	:	Construction project
Total Plot Area	:	58,371 sq. m.
Proposed Total built up area	:	<ul style="list-style-type: none">• FSI Area: 82,689.61 sq. m• Non FSI area : 24378.5 sq. m.• Total construction area : 1,07,068.11 sq. m.
Estimated cost of the project	:	Rs. 207 Cr
No. of Buildings	:	<ul style="list-style-type: none">• Residential – 19 (P+12) with 893 flats• Commercial – one (G+1)
Total Water Requirement	:	Fresh water: 496.65 CMD and Recycled water: 177 CMD
Sewage Generation	:	498 CMD

-1-



STP capacity		498 CMD
Rain water Harvesting		10 nos. of recharge pits are proposed.
Solid waste management		<ul style="list-style-type: none"> • Biodegradable waste: 1071.6 kg/day • Non biodegradable waste: 714 kg/day • STP Sludge: 20 kg/day
Disposal		<ul style="list-style-type: none"> • Biodegradable waste will be treated by Organic Waste converter. • Dry waste will be handed over to authorized contractors. • STP sludge will be used as manure. • E waste will be disposed through authorized agency. • Waste oil will be stored and subsequently given to the authorized hazardous waste management agencies.
Green Belt Development		<ul style="list-style-type: none"> • Landscape area: 16,347 sq.m. • No of trees to be planted: 504 nos.
Energy Requirement		<ul style="list-style-type: none"> • Maximum demand – 3800KVA • DG sets of 125KVA x 1, 250 KVA x 2 and 500 KVA x 2 .
Traffic Management		1292 four wheelers, 2477 two-wheelers and 2766 cycles
Energy Conservation measures		<ul style="list-style-type: none"> • Use of CFL and T5. • Use of solar water heaters. • Solar lights wherever feasible.
Environmental Management Plan		<ul style="list-style-type: none"> • Capital Cost: Rs. 307 Lakhs • O & M Cost: Rs. 36 Lakhs

3. The proposal has been considered by SEIAA in its 40th meeting & decided to accord environmental clearance to the said project under the provisions of Environment Impact Assessment Notification, 2006 subject to implementation of the following terms and conditions :-

- (i) This environmental clearance is issued subject to land use verification. Local authority / planning authority should ensure this with request to Rules, Regulations, Notifications, Government Resolutions, Circulars, etc. issued if any. This environmental clearance issued with respect to the environmental consideration and it does not mean that State Level Impact Assessment Authority (SEIAA) approved the proposed land use.
- (ii) The height, Construction built up area of proposed construction shall be in accordance with the existing FSI/FAR norms of the urban local body & it should ensure the same along with survey number before approving layout plan & before according commencement certificate to proposed work. Plan approving authority should also ensure the zoning permissibility for the proposed project as per the approved development plan of the area.
- (iii) "Consent for Establishment" shall be obtained from Maharashtra Pollution Control Board under Air and Water Act and a copy shall be submitted to the Environment department before start of any construction work at the site.
- (iv) All required sanitary and hygienic measures should be in place before starting construction activities and to be maintained throughout the construction phase.
- (v) Project proponent shall ensure completion of STP, MSW disposal facility, green belt development prior to occupation of the buildings. No physical occupation or allotment will be given unless all above said environmental infrastructure is installed and made functional including water requirement in Para 2. Prior certification from appropriate authority shall be obtained.

-2-


- (vi) Provision shall be made for the housing of construction labour within the site with all necessary infrastructure and facilities such as fuel for cooking, mobile toilets, mobile STP, safe drinking water, medical health care, crèche and First Aid Room etc.
- (vii) Adequate drinking water and sanitary facilities should be provided for construction workers at the site. Provision should be made for mobile toilets. The safe disposal of wastewater and solid wastes generated during the construction phase should be ensured.
- (viii) The solid waste generated should be properly collected and segregated. dry/inert solid waste should be disposed off to the approved sites for land filling after recovering recyclable material
- (ix) Wet garbage should be treated by Organic Waste Converter and treated waste (manure) should be utilized in the existing premises for gardening. And, no wet garbage will be disposed outside the premises. Local authority should ensure this.
- (x) Arrangement shall be made that waste water and storm water do not get mixed.
- (xi) All the topsoil excavated during construction activities should be stored for use in horticulture / landscape development within the project site.
- (xii) Additional soil for leveling of the proposed site shall be generated within the sites (to the extent possible) so that natural drainage system of the area is protected and improved.
- (xiii) Green Belt Development shall be carried out considering CPCB guidelines including selection of plant species and in consultation with the local DFO/ Agriculture Dept.
- (xiv) Disposal of muck during construction phase should not create any adverse effect on the neighboring communities and be disposed taking the necessary precautions for general safety and health aspects of people, only in approved sites with the approval of competent authority.
- (xv) Soil and ground water samples will be tested to ascertain that there is no threat to ground water quality by leaching of heavy metals and other toxic contaminants.
- (xvi) Construction spoils, including bituminous material and other hazardous materials must not be allowed to contaminate watercourses and the dumpsites for such material must be secured so that they should not leach into the ground water.
- (xvii) Any hazardous waste generated during construction phase should be disposed off as per applicable rules and norms with necessary approvals of the Maharashtra Pollution Control Board.
- (xviii) The diesel generator sets to be used during construction phase should be low sulphur diesel type and should conform to Environments (Protection) Rules prescribed for air and noise emission standards.
- (xix) The diesel required for operating DG sets shall be stored in underground tanks and if required, clearance from concern authority shall be taken.
- (xx) Vehicles hired for bringing construction material to the site should be in good condition and should have a pollution check certificate and should conform to applicable air and noise emission standards and should be operated only during non-peak hours.
- (xxi) Ambient noise levels should conform to residential standards both during day and night. Incremental pollution loads on the ambient air and noise quality should be closely monitored during construction phase. Adequate measures should be made to reduce ambient air and noise level during construction phase, so as to conform to the stipulated standards by CPCB/MPCB.
- (xxii) Fly ash should be used as building material in the construction as per the provisions of Fly Ash Notification of September 1999 and amended as on 27th August, 2003. (The above condition is applicable only if the project site is located within the 100Km of Thermal Power Stations).
- (xxiii) Ready mixed concrete must be used in building construction.



- (xxiv) The approval of competent authority shall be obtained for structural safety of the buildings due to any possible earthquake, adequacy of fire fighting equipments etc. as per National Building Code including measures from lighting.
- (xxv) Storm water control and its re-use as per CGWB and BIS standards for various applications.
- (xxvi) Water demand during construction should be reduced by use of pre-mixed concrete, curing agents and other best practices referred.
- (xxvii) The ground water level and its quality should be monitored regularly in consultation with Ground Water Authority.
- (xxviii) The installation of the Sewage Treatment Plant (STP) should be certified by an independent expert and a report in this regard should be submitted to the Ministry before the project is commissioned for operation. Treated effluent emanating from STP shall be recycled/refused to the maximum extent possible. Treatment of 100% gray water by decentralized treatment should be done. Discharge of unused treated affluent shall conform to the norms and standards of the Maharashtra Pollution Control Board. Necessary measures should be made to mitigate the odour problem from STP.
- (xxix) Local body should ensure that no occupation certification is issued prior to operation of STP/MSW site etc. with due permission of MPCB.
- (xxx) Permission to draw ground water shall be obtained from the competent Authority prior to construction/operation of the project.
- (xxxi) Separation of gray and black water should be done by the use of dual plumbing line for separation of gray and black water.
- (xxxii) Fixtures for showers, toilet flushing and drinking should be of low flow either by use of aerators or pressure reducing devices or sensor based control.
- (xxxiii) Use of glass may be reduced up to 40% to reduce the electricity consumption and load on air conditioning. If necessary, use high quality double glass with special reflective coating in windows.
- (xxxiv) Roof should meet prescriptive requirement as per Energy Conservation Building Code by using appropriate thermal insulation material to fulfill requirement
- (xxxv) Energy conservation measures like installation of CFLs /TFLs for the lighting the areas outside the building should be integral part of the project design and should be in place before project commissioning. Use CFLs and TFLs should be properly collected and disposed off/sent for recycling as per the prevailing guidelines/rules of the regulatory authority to avoid mercury contamination. Use of solar panels may be done to the extent possible like installing solar street lights, common solar water heaters system. Project proponent should install, after checking feasibility, solar plus hybrid non conventional energy source as source of energy.
- (xxxvi) Diesel power generating sets proposed as source of back up power for elevators and common area illumination during operation phase should be of enclosed type and conform to rules made under the Environment (Protection) Act, 1986. The height of stack of DG sets should be equal to the height needed for the combined capacity of all proposed DG sets. Use low sulphur diesel. The location of the DG sets may be decided with in consultation with Maharashtra Pollution Control Board.
- (xxxvii) Noise should be controlled to ensure that it does not exceed the prescribed standards. During nighttime the noise levels measured at the boundary of the building shall be restricted to the permissible levels to comply with the prevalent regulations.
- (xxxviii) Traffic congestion near the entry and exit points from the roads adjoining the proposed project site must be avoided. Parking should be fully internalized and no public space should be utilized.
- (xxxix) Opaque wall should meet prescriptive requirement as per Energy Conservation Building Code, which is proposed to be mandatory for all air-conditioned spaces

-4-



while it is aspirational for non-air-conditioned spaces by use of appropriate thermal insulation material to fulfill requirement

- (xl) The building should have adequate distance between them to allow movement of fresh air and passage of natural light, air and ventilation
- (xli) Regular supervision of the above and other measures for monitoring should be in place all through the construction phase, so as to avoid disturbance to the surroundings.
- (xlii) Under the provisions of Environment (Protection) Act, 1986, legal action shall be initiated against the project proponent if it was found that construction of the project has been started without obtaining environmental clearance.
- (xliii) Six monthly monitoring reports should be submitted to the Department and MPCB.
- (xliv) A complete set of all the documents submitted to Department should be forwarded to the MPCB
- (xlv) In the case of any change(s) in the scope of the project, the project would require a fresh appraisal by this Department.
- (xlvi) A separate environment management cell with qualified staff shall be set up for implementation of the stipulated environmental safeguards.
- (xlvii) Separate funds shall be allocated for implementation of environmental protection measures/EMP along with item-wise breaks-up. These cost shall be included as part of the project cost. The funds earmarked for the environment protection measures shall not be diverted for other purposes and year-wise expenditure should reported to the MPCB & this department.
- (xlviii) The project management shall advertise at least in two local newspapers widely circulated in the region around the project, one of which shall be in the Marathi language of the local concerned within seven days of issue of this letter, informing that the project has been accorded environmental clearance and copies of clearance letter are available with the Maharashtra Pollution Control Board and may also be seen at Website at <http://envis.maharashtra.gov.in>.
- (xlix) Project management should submit half yearly compliance reports in respect of the stipulated prior environment clearance terms and conditions in hard & soft copies to the MPCB & this department, on 1st June & 1st December of each calendar year.
 - (i) A copy of the clearance letter shall be sent by proponent to the concerned Municipal Corporation and the local NGO, if any, from whom suggestions/representations, if any, were received while processing the proposal. The clearance letter shall also be put on the website of the Company by the proponent.
 - (ii) The proponent shall upload the status of compliance of the stipulated EC conditions, including results of monitored data on their website and shall update the same periodically. It shall simultaneously be sent to the Regional Office of MoEF, the respective Zonal Office of CPCB and the SPCB. The criteria pollutant levels namely: SPM, RSPM, SO₂, NO_x (ambient levels as well as stack emissions) or critical sector parameters, indicated for the project shall be monitored and displayed at a convenient location near the main gate of the company in the public domain.
 - (iii) The project proponent shall also submit six monthly reports on the status of compliance of the stipulated EC conditions including results of monitored data (both in hard copies as well as by e-mail) to the respective Regional Office of MoEF, the respective Zonal Office of CPCB and the SPCB.
 - (iii) The environmental statement for each financial year ending 31st March in Form-V as is mandated to be submitted by the project proponent to the concerned State Pollution Control Board as prescribed under the Environment (Protection) Rules, 1986, as amended subsequently, shall also be put on the website of the company along with the status of compliance of EC conditions and shall also be sent to the respective Regional Offices of MoEF by e-mail.



4. The environmental clearance is being issued without prejudice to the action initiated under EP Act or any court case pending in the court of law and it does not mean that project proponent has not violated any environmental laws in the past and whatever decision under EP Act or of the Hon'ble court will be binding on the project proponent. Hence this clearance does not give immunity to the project proponent in the case filed against him, if any or action initiated under EP Act.
5. In case of submission of false document and non compliance of stipulated conditions, Authority/ Environment Department will revoke or suspend the Environmental Clearance without any intimation and initiate appropriate legal action under Environmental Protection Act, 1986.
6. The Environment department reserves the right to add any stringent condition or to revoke the clearance if conditions stipulated are not implemented to the satisfaction of the department or for that matter, for any other administrative reason.
7. **Validity of Environment Clearance:** The environmental clearance accorded shall be valid for a period of 5 years.
8. In case of any deviation or alteration in the project proposed from those submitted to this department for clearance, a fresh reference should be made to the department to assess the adequacy of the condition(s) imposed and to incorporate additional environmental protection measures required, if any.
9. The above stipulations would be enforced among others under the Water (Prevention and Control of Pollution) Act, 1974, the Air (Prevention and Control of Pollution) Act, 1981, the Environment (Protection) Act, 1986 and rules there under, Hazardous Wastes (Management and Handling) Rules, 1989 and its amendments, the public Liability Insurance Act, 1991 and its amendments.
10. Any appeal against this environmental clearance shall lie with the National Green Tribunal , Van Vigyan Bhawan, Sec- 5, R.K. Puram, New Dehli – 110 022, if preferred, within 30 days as prescribed under Section 35 of the National Green Tribunal Act, 2010.



(Valsa R Nair Singh)
Secretary, Environment
department & MS, SEIAA

Copy to:

1. Shri. P.M.A Hakeem, IAS (Retd.), Chairman, SEIAA, 'Jugnu' Kottaram Road, Calicut- 673 006 Kerla.
2. Shri. Dr. S. Devotta, Chairman, SEAC, T2/302 Sky City, Vanagaram –Ambattur Road, Chennai – 600 095
3. Additional Secretary, MOEF, 'Paryavaran Bhawan' CGO Complex, Lodhi Road, New Delhi – 110510

4. Member Secretary, Maharashtra Pollution Control Board, with request to display a copy of the clearance.
5. The CCF, Regional Office, Ministry of Environment and Forest (Regional Office, Western Region, Kendriya Paryavaran Bhavan, Link Road No- 3, E-5, Ravi-Shankar Nagar, Bhopal- 462 016). (MP).
6. Regional Office, MPCB, Pune.
7. Collector, Pune.
8. Commissioner, Pune Munnicipal Corporation, Pune.
9. IA- Division, Monitoring Cell, MoEF, Paryavaran Bhavan, CGO Complex, Lodhi Road, New Delhi-110003.
10. Director (TC-1), Dy. Secretary (TC-2), Scientist-1, Environment Department.
11. Select file (TC-3).

COMPLIANCE REPORT

EC No.	: SEAC-2010/CR.727/TC.2 Dated: 26 th December, 2011
Project name	: "Hill View Residency"
Project location	: S. No 69/5B/2,69/8 and 70/1 to 17A/1 Kothrud, District Pune, Maharashtra
Developer name	: M/s. Kumar Beharay Properties LLP
Developers address	: Kumar Capital, 1 st Floor, 2413, East Street Camp, Pune, 411001. Maharashtra

Sr. No.	EC Conditions	Compliance Status															
1	This has reference to your communication on the above mentioned subject. The proposal was considered as per the EIA Notification - 2006 by the State Level Expert Appraisal Committee. Maharashtra in its 43 rd meetings and decided to recommend the project for prior environmental clearance to SEIAA. Information submitted by you has been considered by State Level Environment Impact Assessment Authority in its 40 th meeting held On 12 th /13 th October, 2011.	No comments.															
2	<p>It is noted that the proposal is for grant of Environmental Clearance for proposed Residential Project at Kothrud, District Pune, Maharashtra, by M/s. Rathi, Kumar and Beharay SEAC considered the project under screening category 8(a) as per EIA Notification 2006.</p> <p>Brief Information of the Project is summarized as below:</p> <table border="1" style="width: 100%; border-collapse: collapse;"> <tr> <td style="width: 30%;">Name of the Project</td> <td style="width: 10%;">:</td> <td>Hill View Residency</td> </tr> <tr> <td>Project Proponent</td> <td>:</td> <td>M/s. Kumar Beharay Properties LLP</td> </tr> <tr> <td>Location of the project</td> <td>:</td> <td>S. No 69/5B/2,69/8 and 70/1 to 17A/1 Kothrud, District Pune, Maharashtra</td> </tr> <tr> <td>Type of Project</td> <td>:</td> <td>Construction Project</td> </tr> <tr> <td>Plot Area</td> <td>:</td> <td>58,371 sq.m</td> </tr> </table>	Name of the Project	:	Hill View Residency	Project Proponent	:	M/s. Kumar Beharay Properties LLP	Location of the project	:	S. No 69/5B/2,69/8 and 70/1 to 17A/1 Kothrud, District Pune, Maharashtra	Type of Project	:	Construction Project	Plot Area	:	58,371 sq.m	Noted.
Name of the Project	:	Hill View Residency															
Project Proponent	:	M/s. Kumar Beharay Properties LLP															
Location of the project	:	S. No 69/5B/2,69/8 and 70/1 to 17A/1 Kothrud, District Pune, Maharashtra															
Type of Project	:	Construction Project															
Plot Area	:	58,371 sq.m															

Built up Area	:	FSI Area: 82,689.61 sq.m Non FSI Area: 24378.5 sq.m Total construction area: 1,07,068.11 sq.m
Estimated cost of the project	:	Rs.207 Cr.
No. of Buildings	:	Residential - 19 (P+2) with 893 flats Commercial - one(G+1)
Total Water Requirement	:	Fresh water: 496.65 CMD and Recycled Water: 177 CMD
Sewage Generation	:	498 CMD
STP Capacity	:	498 CMD
Rain water Harvesting	:	10 nos.of recharge pits are proposed
Solid waste management	:	<ul style="list-style-type: none"> • Biodegradable waste: 1071.6 Kg/day • Non biodegradable waste: 714 Kg/day • STP sludge: 20 kg/day
Disposal	:	<ul style="list-style-type: none"> • Biodegradable waste will be treated by Organic Waste converter. • Dry waste will be handed over to authorized contractors. • STP sludge will be used as manure. • E waste will be disposed through authorized agency. • Waste oil will be stored and subsequently given to the authorized hazardous waste management agencies.
Green Belt Development	:	<ul style="list-style-type: none"> • Landscape area: 16,347 sq.m

		<ul style="list-style-type: none"> No of trees to be planted: 504 nos. 	
	Energy Requirement	: Maximum demand: 3800 KVA. DG sets of 125 KVA X 1, 250 KVA X 2 and 500 KVA X 2.	
	Traffic Management	: 1292 for four-wheelers, 2477 for two-wheelers and 2766 for cycles	
	Energy Conservation measures	: <ul style="list-style-type: none"> Use of CFL and T5. Solar water heaters. Solar lights wherever feasible. Use of electronic ballasts. 	
	Environmental Mgt Plan	: Capital Cost: Rs 307 Lakhs O & M Cost: Rs. 36 Lakhs	
3.	The proposal has been considered by SEIAA in its 40 th meetings & decided to accord environmental clearance to the said project under the provisions of Environment Impact Assessment Notification, 2006 subject to implementation of the following terms and conditions:		Noted
i	This environmental clearance is issued subject to land use verification local authority/planning authority should ensure this with request to Rules regulation Notifications, government Resolutions Circulars, etc. issued if any. This environmental clearance issued with respect to the environmental consideration and it does not mean that state level Impact Assessment (SEIAA) approved the proposed land use.		Noted
ii	The height, Construction built up area of proposed construction shall be in accordance with the existing FSI/FAR norms of the urban local body & it should ensure the same along with survey number before approving layout plan & before according commencement certificate to proposed work. ULB should also ensure the zoning permissibility for the proposed project as per the approved development plan of the area.		Noted

iii	'Consent for Establishment" shall be obtained from Maharashtra Pollution Control Board under Air and Water Act and a copy shall be submitted to the Environment department before start of any construction work at the site.	Complied Consent to Establish: Consent No. MPCBHQ/ROHQ/Pune/ CE/CC/523 Dated 23 rd August 2012 Copy Of Consent Attached
iv	All required sanitary and hygienic measures should be in place before starting construction activities and to be maintained throughout the construction phase.	Complied. Toilets are provided at site
v	Project proponent shall ensure completion of STP, MSW disposal facility green belt development prior to occupation of the buildings. No physical occupation or allotment will be given unless all above said environmental infrastructure is installed and made functional including water requirement in Para 2. Prior certification from appropriate authority shall be obtained,	Noted and shall be complied.
vi	Provision shall be made for the housing of construction labour within the site with all necessary infrastructure and facilities such as fuel for cooking, Mobile toilets. mobile STP, safe drinking water, medical health care, creche etc.	Complied. Proper drinking water & toilet facility is provided at site.
vii	Adequate drinking water and sanitary facilities should be provided for construction workers at the site. Provision should be made for mobile toilets. The safe disposal of wastewater and solid wastes generated during the construction phase should be ensured.	Complied. Proper drinking water & toilet facility is provided at site.
viii	The solid waste generated should be properly collected and segregated dry/inert solid waste should be disposed off to the approved sites for land filling after recovering recyclable material.	Noted & shall be complied
ix	Wet garbage should be treated by Organic Waste Converter and treated waste (manure) should be utilized in the existing premises for gardening. And no wet garbage will be disposed outside the premises. Local authority should ensure this.	Shall be complied

x	Arrangement shall be made that waste water and storm water do not get mixed.	Noted and shall be complied.
xi	All the top soil excavated during construction activities should be stored for Use in horticulture / landscape development within the proje1 site.	Noted. Top soil shall be used for landscaping.
xii	Additional soil for leveling of the proposed site shall be generated within the sites to the extent possible) so that natural drainage system of the area is protected and improved.	Shall be complied.
xiii	Green Belt Development shall be carried out considering CPCB guidelines including selection of plant species and in consultation with the local DFO/ Agriculture Dept.	Noted and shall be complied.
xiv	Disposal of muck during construction phase should not create any adverse effect on the neighboring communities and be disposed taking the necessary precautions [or general safely and health aspects of people. only in approved sites with the approval of competent authority.	Complied. Adequate measures are provided.
xv	Soil and ground water samples will be tested to ascertain that there is no threat to ground water quality by leaching of heavy metals and other toxic contaminants.	Complied. Env. Monitoring report is attached herewith.
xvi	Construction spoils, including bituminous material and other hazardous materials must not be allowed to contaminate water courses and the dumpsites for such material must be secured so that they should not leach into the ground water.	Complied. Adequate measures are provided.
xvii	Any hazardous waste generated during construction phase should be disposed of as per applicable rules and norms with necessary approvals of the Maharashtra Pollution Control Board.	Noted.
Xviii	The diesel generator sets to be used during construction phase should he low sulphur diesel type and should conform to Environments (Protection) Rules prescribed (or air and noise emission standards.	Complied. DG sets are having acoustic enclosure.
Xix	The diesel required for operating DG stack shall be slored in underground tanks and it required, clearance	Noted.

	from concern authority shall he taken.	
Xx	Vehicles hired for bringing construction material to the site should be in good condition and should have a pollution check certificate and should conform to applicable air and noise emission standards and should he operated only during non peak hours.	Complied. Vehicles are checked for PUC certificate.
Xxi	Ambient noise levels should conform to residential standards both during day and night. Incremental pollution loads on the ambient air and noise quality should be closely monitored during construction phase. Adequate measures should he made to reduce ambient air ad noise level during construction phase, so as to conform to he stipulated standards by CPCB/M PCB.	Complied. Env. Monitoring report is attached herewith.
xxii	Fly ash should be used as building material in the construction as per the provisions of Fly Ash Notification of September 1999 and amended as on 27th August. 2003 (The above condition is applicable only if the project site is located within the 100Km of Thermal Power Stations).	Noted and shall be complied.
xxiii	Ready mixed concrete must be used in building construction.	Complied
xxiv	The approval of competent authority shall be obtained for structural safety of the building due to any possible earthquake, adequacy of fire fighting equipments etc. as per National Building Code including measures from lighting.	Noted
xxv	Storm water control and its re-use as per CGWB and BIS standards for various applications.	Noted
Xxvi	Water demand during construction should be reduced by use of premixed concrete, curing agents and other best practices referred.	Complied.
xxvii	The ground water level and its quality should be monitored regularly in consultation with Ground Water Authority.	Complied. Env. Monitoring report is attached herewith.
Xxviii	The installation of the Sewage Treatment Plant (STP) should be certified by all independent experts and a report in this regard should be submitted to the Ministry	It is already under process and shall be complied.

	before the project is commissioned for operation. Treated effluent emanating From STP shall be recycled/reused to the maximum extent possible. Treatment of 100% gray water by decentralized treatment should be done. Discharge of unused treated effluent shall conform to the norms and standards of the Maharashtra Pollution Control Board. Necessary measures should be made to mitigate the odour problem from STP.	
Xxix	Local body should ensure that no occupation certificate is issued prior to operation of STP/MSW site etc. with due permission of MPCB.	Noted.
xxx	Permission to draw ground Water shall be obtained from the competent Authority prior to construction/operation of the project.	Noted.
Xxxi	Separation of gray and black water should be done by the use of dual plumbing line for separation of gray and black water.	Shall be complied.
Xxxii	Fixtures for showers, toilet flushing and drinking should be of low flow either by use of aerators or pressure reducing devices or sensor based control.	Noted and shall be complied.
xxxiii	Use of glass may be reduced up to 40% to reduce the electricity consumption and load on air conditioning. If necessary, use high quality double glass with special reflective coating in windows.	Noted.
Xxxiv	Roof should meet prescriptive requirement as per Energy Conservation Building Code by using appropriate thermal insulation material to fulfill requirement.	Noted.
Xxxv	Energy conservation measures like installation of CFLs/TFLs for the lighting the areas outside the building should be integral part of the project design and should be in place before project commissioning. Use CFLs and TFLs should be properly collected and disposed off/sent for recycling as per the prevailing guidelines/rules of the regulatory authority to avoid mercury contamination. Use of solar panels may be done to the extent possible like installing solar street	Complied.

	lights, common solar water heaters system. Project proponent should install, after checking feasibility, solar plus hybrid non conventional energy source as source of energy.	
xxxvi	Diesel power generating sets proposed as source of back up power for elevators and common area illumination during operation phase should be of enclosed type and conform to rules made under the Environment (Protection) Act. 1986, The height of stack of DG sets should be equal to the height needed for the combined capacity of all proposed DG sets. Use low sulphur diesel. The location of the DG sets may be decided with in consultation with Maharashtra Pollution Control Board.	Noted and shall be complied.
Xxxvii	Noise should be controlled by ensure that it does not exceed the prescribed standards. During nighttime the noise levels measured at the boundary of the building shall be restricted to the permissible levels to comply with the prevalent regulations.	Noted.
Xxxviii	Traffic congestion near the entry and exit points from the roads adjoining the proposed project Site must be avoided. Parking should be fully internalized and no public space should be utilized.	Noted.
xxxix	Opaque wall should meet prescriptive requirement as per energy Conservation Building Code, which is proposed to be mandatory for all air-conditioned spaces while it is aspirational for non-air-conditioned spaces by use of appropriate thermal insulation material to fulfill requirement.	Noted.
XI	The building should have adequate distance between them to allow movement of fresh air and passage of natural light, air and ventilation.	Noted and shall be complied.
Xli	Regular supervision of the above and other measures for monitoring should tie in place all through the construction phase, so as to avoid disturbance to the surroundings.	Complied. Site engineers supervise proper implementation of EHS safeguard at site.
Xlii	Under the provisions of Environment (Protection) Act. 1986. Legal action shall be initiated against the project	Noted. EC letter is attached herewith.

	proponent if it was found that construction of the project has been started without obtaining environmental clearance.	
Xliii	Six monthly monitoring reports should be submitted to the Department and MPCB.	Complied. Six monthly monitoring reports submitted to al respective offices and MPCB.
Xliv	A complete set of all the documents submitted to Department should be forwarded to the MPCB.	Noted and complied.
Xlv	In the case of any change(S) in the scope of the project. The project would require a fresh appraisal by this Department.	Noted
Xlvi	A separate environment management cell with qualified staff shall be set up for implementation of the stipulated environmental safeguards.	Noted
Xlvii	Separate funds shall be allocated for implementation of environmental protection measures/EMP along with item-wise breaks-up. These cost shall he included is part of the project cost. The funds earmarked for the environment protection measures shall not be diverted for other purposes and year-wise expenditure should reported to the MPCB & this department.	Complied EMP along with break up attached as Annexure-I
Xlviii	The project management shall advertise at least in Two local newspapers widely, circulated in the region around the project, one of which shall be in the Marathi language of the local concerned within seven days of issue of this letter informing that the project has been accorded environmental clearance and copies of clearance letter are available with the Maharashtra Pollution Control Board anti may also be seen at Website at http://envis.maharashtra.gov.in	Complied. Copy of advertisement is attached as herewith.
Xlix	Project management should submit half yearly compliance reports in respect of the stipulated prior environment clearance terms and conditions in hard & soil copies to the MPCB & this department on 1 st June & 1 st December of each calendar year.	Complied.
I	A copy of the clearance letter shall be sent by	Complied.

	proponent to rite concerned Municipal Corporation and the local NGO, if any, from whom suggestions/representations. If any, were received while processing the proposal. The clearance letter shall also be put on the website of the Company by the proponent.	
li	The proponent shall upload the Status of compliance of the stipulated EC conditions, including results of monitored data on their website and shall update the same periodically. It shall simultaneously be sent to the Regional Office of MoEF, the respective Zonal Office of CPCB and the SPCB. The criteria pollutant levels namely; SPM, RSPM, SO, NOx (ambient levels as well as stack emissions) or critical sectoral parameters, indicated for the project shall be monitored and displayed at a Convenient location near the main gate of the company in the public domain.	Noted and complied.
lii	The project proponent shall also submit six monthly reports on the status of compliance Of the stipulated EC conditions including results Of monitored data (both in hard copies as well as by e-mail) to the respective Regional Office of MoEF the respective Zonal Office of CPCB and the SPCB.	Noted and complied.
liii	The environmental statement for each financial year ending 31 st March in Form-V as is mandated to be submitted by the project proponent to the concerned State Pollution Control Board as prescribed under the Environment (Protection) Rules, 1986, as amended subsequently shall also be put on the website of the company along with the status of compliance of EC conditions and shall also be sent to the respective Regional Offices of MoEF by e-mail.	Noted
4	The environmental clearance is being issued without prejudice to the court case pending in the court of law and it does not mean that project proponent has not violated any environmental laws in the past and whatever decision of the Hon'ble court will be binding on the project proponent. Hence this clearance does	Noted

	not give immunity to the project proponent in the case filed against him.	
5	In case of submission of false document and non compliance of stipulated conditions. Authority/ Environment Department will revoke or suspend the Environmental Clearance without any intimation and initiate appropriate legal action under Environmental Protection Act. 1986,	Noted.
6	The Environment department reserves the right to add any stringent condition or to revoke the clearance if conditions stipulated are not implemented to the satisfaction of the department or for that matter, for any ether administrative reason.	Noted
7	Validity of Environment Clearance: The environmental clearance accorded shall be valid for a period of 5 years.	Noted.
8	In case of any deviation or alteration in the project proposed from those submitted to this department for clearance, a fresh reference should be made to the department to assess the adequacy of the condition(s) imposed and to incorporate additional environmental protection measures required, if any.	Noted and shall be Complied.
9	The above stipulations would be enforced among others under the Water (Prevention and Control of Pollution) Act. 1974, the Air (Prevention and Control of Pollution) Act. 1981. The Environment (Protection) Act. 1986 and rules there under. Hazardous Wastes (Management and Handling) Rules. 1989 and its amendments, the public liability Insurance Act, 1991 and its amendments.	Noted.
10	Any appeal against this environmental clearance shall lie with the National Green Tribunal, Van Vigyan bhawan, sec-5 R.K Puram, New Delhi-110 022, if preferred within 30days as prescribed under section 35 o the National Green Tribunal Act 2010.	Noted.

POST ENVIRONMENT MONITORING REPORT

For the Residential Project

“Hill View Residency”

Construction Project

At Kothrud,

Pune, Maharashtra

Period: Jan, 2018 – March, 2018

Developer

M/s. Kumar Beharay Properties LLP

East Street Camp, Pune 411001.

Maharashtra

Prepared by



GREEN CIRCLE, INC.

Vadodara



GREEN CIRCLE, INC.

Integrated HSEQR Consulting Engineers, Scientists & Trainers
(Recognized By Ministry of Environmental and Forests, New Delhi Under EPA 1986 and
GPCB approved Environmental Auditor – Schedule II)
No. Q – 15018/32/2007 - CPW

CERTIFICATE

This is to certify that the post environment monitoring of “Hill View Residency” Kothrud, Pune for M/s. Kumar Beharay Properties LLP has been carried out by M/s. Green Circle, Inc., Vadodara during the period of Jan,2018 – March, 2018.

The study reveals that there is no negative impact on the environment.

For. Green Circle, Inc.

*Mr. Pradeep Joshi
CEO & Group President*

REGD. OFFICE : Green Empire (Anupushpam), Beside Canara Bank, Nr. Yash Complex, Above Axis Bank, Gotri Main Road, VADODARA -390 021, (Gujarat), India
Tel.: 0265 - 2371028 / 2371269 Email: info@greencircleinc.com Website: www.greencircleinc.com

MUMBAI : Flat No. 6, Ground Floor, Shakuntala Niwas, M. G. Road, Opp. G. H. School, Borivali (E), MUMBAI – 400 066, India
Tel: 022 - 28943090 Telefax: 022 - 28943060

: ALSO AT :

NEW DELHI

HYDERABAD

PUNE

RAIPUR

KOLKATA

: OVERSEAS AT :

AUSTRALIA

OMAN

KUWAIT

AFRICA

VIETNAM

INTRODUCTION:

M/s. Kumar Beharay Properties LLP is the foremost and most preferred real estate developer in India. M/s. Kumar Beharay Properties LLP any is proposing to construction "RKB" Project at S. No 69/5B/2, 68/8 and 70/1 to 17A/1 Kothrud, District Pune, Maharashtra. The Proposed Project has received Environmental Clearance from Ministry of Environment & Forest under the provisions of EIA Notification dtd. 14th September, 2006, subject to compliance of the conditions as per letter No. SEAC-2010/CR.727/TC.2 Dated: 26th December, 2011 As per the instruction in the EC letter, Periodic Environmental Monitoring has been carried out by Green Circle, Inc., Vadodara and submitting required report to concern division regularly.

SCOPE OF WORK:

It includes quarterly monitoring of:

- A.** Ambient Air Quality.
- B.** Water & Sewage quality.
- C.** Noise Level.
- D.** Soil Quality

A. AMBIENT AIR MONITORING:

Ambient Air Quality Monitoring was carried out at two locations within the project site. Eight hourly samples were collected and analyzed for PM₁₀, PM_{2.5}, SO₂, & NO_x as per the standard methods mentioned in Table 1 & the results are summarized in Table 2.

Table No. 1: Standard Method of Analysis for Ambient Air Quality

PM ₁₀ / PM _{2.5}	:	IS 5182 : Part 23 : 2006/ NAAQS Monitoring & Analysis Guidelines Volume- I by CPCB
SO ₂	:	IS 5182 : Part 2 : 2001
NO _x	:	IS 5182 : Part 6 : 1975

Table No. 2: Ambient Air Quality

Sr. No.	Parameter	Units	Result			
			Center of Site	Near Sales Office	NAAQS For 24 Hours	Methods Used
	Sampling locations					
1.	Particulate Matter (PM ₁₀)	µg/m ³	75	80.5	100	Gravimetric analysis
2.	Particulate Matter (PM _{2.5})	µg/m ³	32.8	34.8	60	Gravimetric analysis
3.	Sulfur dioxide (SO ₂)	µg/m ³	15.8	14.2	80	Improved West & Geake Method
4.	Oxides of Nitrogen (NO _x)	µg/m ³	21.9	25.7	80	Jacob & Hochheiser Modified Method

Remarks: The results are within limit as per MPCB

Note: NAAQS: National Ambient Air Quality Standards

B. WATER & SEWAGE QUALITY:

One water samples were collected from nearby Bore well to check the quality of the water. Analysis results are compared with IS 10500: 2012 as mentioned in following Table 3:

Table 3: Quality of Water samples

Sr. No.	Parameters	Unit	Bore Well Water	Reference Method	Permissible limit as per IS-10500-2012 for Drinking Water
1.	pH	-	7.3	APHA 4500	6.5-8.5
2.	Temperature	°C	21.8	APHA 2550	NS
3.	Turbidity	NTU	<1	APHA 2130	10
4.	Conductivity	µs/cm	671	APHA 2510	NS
5.	Total Dissolved Solids	mg/l	553	APHA 2540 C	2000
6.	Total Suspended Solids	mg/l	16	APHA 2540 D	NS
7.	Total Hardness	mg/l	228	APHA 2340	600
8.	Ca Hardness	mg/l	163	APHA 3500 Ca	NS
9.	Total Alkalinity	mg/l	129	APHA 2320	600
10.	Chloride	mg/l	266	APHA 4500 Cl	1000
11.	Sulphate	mg/l	158	APHA 4500 SO ₄	400
12.	Copper	mg/l	BDL	APHA 3500 Cu	1.5
13.	Zinc	mg/l	BDL	APHA 3500 Zn	15

Remark: The results are within limit as per IS-10500-2012

Note: BDL = Below Detectable Limit, N.S. = Not Specified

Sewage: Construction of STP is not yet started.

C. NOISE LEVEL MEASUREMENT:

Noise level monitoring was carried out at six locations within the project site as per standard method by using sound level meter and the results are reported in Table 4.

Table 4: Ambient Noise Quality

Sr. No.	Sampling locations	Noise Level in dB (A) Leq. during			
		Day Time		Night Time	
		Measured	Limit*	Measured	Limit*
1.	S-E Entrance	55.4	65	43.7	55
2.	S-W Entrance	59.5	65	46.7	55
3.	Center of Site	56.9	65	48.8	55
4.	West Side Corner	59.8	65	43.7	55
5.	East Boundary	56.5	65	45.5	55
6.	Near Site Office	55.3	65	44.5	55

Note: * Ambient Noise level Limit for Residential area as per Noise Pollution (Regulation & Control) Rules, 2000. Day time is reckoned between 6 A.M. to 10 P.M. & Night time between 10 P.M. to 6 A.M.

E. SOIL ANALYSIS REPORT

Soil samples were collected from Site at 20 cm depth. Analysis results are tabulated in the following Table 5.

Table 5: Quality of Soil Sample

Sr. No.	Parameters	Unit	Results		Reference Method
			Near Site Office	Center of Site	
1.	pH	-	8.2	8.25	IS 2720 : Part 26 : 1987
2.	Moisture Content	%	8.9	9.7	IS 2720 : Part 09: 1992
3.	Sulphate	mg/gm	4.1	4.8	IS 2720 : Part 27 : 1977
4.	Organic Matter	%	4.9	3.7	IS 2720 : Part 22 : 1972
5.	Chloride	%	0.8	0.9	IS 6925: 1973
6.	Copper as Cu	mg/gm	BDL	BDL	APHA 3500-Cu
7.	Total Kjeldhal Nitrogen	mg/gm	0.08	0.17	APHA 4500-N _{ORG}
8.	Zinc as Zn	mg/gm	BDL	BDL	APHA 3500-Zn

BDL: Below Detectable Level

POST ENVIRONMENT MONITORING REPORT

For the Residential Project

“Hill View Residency”

Construction Project

At Kothrud,

Pune, Maharashtra

Period: April, 2018 – June, 2018

Developer

M/s. Kumar Beharay Properties LLP

East Street Camp, Pune 411001.

Maharashtra

Prepared by



THE GREEN PEOPLE

GREEN CIRCLE, INC.

Vadodara



GREEN CIRCLE, INC.

Integrated HSEQR Consulting Engineers, Scientists & Trainers
(Recognized By Ministry of Environmental and Forests, New Delhi Under EPA 1986 and
GPCB approved Environmental Auditor – Schedule II)
No. Q – 15018/32/2007 - CPW

CERTIFICATE

This is to certify that the post environment monitoring of “Hill View Residency” Kothrud, Pune for M/s. Kumar Beharay Properties LLP has been carried out by M/s. Green Circle, Inc., Vadodara during the period of April, 2018 – June, 2018.

The study reveals that there is no negative impact on the environment.

For: Green Circle, Inc.

*Mr. Pradeep Joshi
CEO & Group President*

REGD. OFFICE : Green Empire (Anupushpam), Beside Canara Bank, Nr. Yash Complex, Above Axis Bank, Gotri Main Road, VADODARA -390 021, (Gujarat), India
Tel.: 0265 - 2371028 / 2371269 Email: info@greencircleinc.com Website: www.greencircleinc.com

MUMBAI : Flat No. 6, Ground Floor, Shakuntala Niwas, M. G. Road, Opp. G. H. School, Borivali (E), MUMBAI – 400 066, India
Tel: 022 - 28943090 Telefax: 022 - 28943060

: ALSO AT :

NEW DELHI

HYDERABAD

PUNE

RAIPUR

KOLKATA

: OVERSEAS AT :

AUSTRALIA

OMAN

KUWAIT

AFRICA

VIETNAM

INTRODUCTION:

M/s. Kumar Beharay Properties LLP is the foremost and most preferred real estate developer in India. M/s. Kumar Beharay Properties LLP any is proposing to construction "RKB" Project at S. No 69/5B/2,69/8 and 70/1 to 17A/1 Kothrud, District Pune, Maharashtra. The Proposed Project has received Environmental Clearance from Ministry of Environment & Forest under the provisions of EIA Notification dtd. 14th September, 2006, subject to compliance of the conditions as per letter No. SEAC-2010/CR.727/TC.2 Dated: 26th December, 2011. As per the instruction in the EC letter, Periodic Environmental Monitoring has been carried out by Green Circle, Inc., Vadodara and submitting required report to concern division regularly.

SCOPE OF WORK:

It includes quarterly monitoring of:

- A.** Ambient Air Quality.
- B.** Water & Sewage quality.
- C.** Noise Level.
- D.** Soil Quality.

A. AMBIENT AIR MONITORING:

Ambient Air Quality Monitoring was carried out at two locations within the project site. Eight hourly samples were collected and analyzed for PM₁₀, PM_{2.5}, SO₂, & NO_x as per the standard methods mentioned in Table 1 & the results are summarized in Table 2.

Table No. 1: Standard Method of Analysis for Ambient Air Quality

PM ₁₀ / PM _{2.5}	:	IS 5182 : Part 23 : 2006/ NAAQS Monitoring & Analysis Guidelines Volume- I by CPCB
SO ₂	:	IS 5182 : Part 2 : 2001
NO _x	:	IS 5182 : Part 6 : 1975

Table No. 2: Ambient Air Quality

Sr. No.	Parameter	Units	Result			
			Center of Site	Near Sales Office	NAAQS For 24 Hours	Methods Used
1.	Particulate Matter (PM ₁₀)	µg/m ³	72.7	78.2	100	Gravimetric analysis
2.	Particulate Matter (PM _{2.5})	µg/m ³	31.4	34.7	60	Gravimetric analysis
3.	Sulfur dioxide (SO ₂)	µg/m ³	19.8	16.1	80	Improved West & Geake Method
4.	Oxides of Nitrogen (NO _x)	µg/m ³	17.45	18.6	80	Jacob & Hochheiser Modified Method

Remark: The results are within limit as per MPCB

Note:NAAQS : National Ambient Air Quality Standards

B. WATER & SEWAGE QUALITY:

One water samples were collected from nearby Bore well to check the quality of the water. Analysis results are compared with IS 10500:2012 as mentioned in following Table 3

Table 3: Quality of Water samples

Sr. No.	Parameters	Unit	Bore Well Water	Reference Method	Permissible limit as per IS-10500-2012 for Drinking Water
1.	pH	-	7.8	APHA 4500	6.5-8.5
2.	Temperature	°C	26.3	APHA 2550	NS
3.	Turbidity	NTU	<2	APHA 2130	10
4.	Conductivity	µs/cm	735	APHA 2510	NS
5.	Total Dissolved Solids	mg/l	485	APHA 2540 C	2000
6.	Total Suspended Solids	mg/l	8	APHA 2540 D	NS
7.	Total Hardness	mg/l	231	APHA 2340	600
8.	Ca Hardness	mg/l	175	APHA 3500 Ca	NS
9.	Total Alkalinity	mg/l	162	APHA 2320	600
10.	Chloride	mg/l	282	APHA 4500 Cl	1000
11.	Sulphate	mg/l	164	APHA 4500 SO ₄	400
12.	Copper	mg/l	BDL	APHA 3500 Cu	1.5
13.	Zinc	mg/l	BDL	APHA 3500 Zn	15

Remark: The results are within limit as per IS-10500-2012

Note:BDL = Below Detectable Limit,N.S. = Not Specified

Sewage: Construction of STP is not yet started.

C. NOISE LEVEL MEASUREMENT:

Noise level monitoring was carried out at six locations within the project site as per standard method by using sound level meter and the results are reported in Table 4.

Table 4: Ambient Noise Quality

Sr. No.	Sampling locations	Noise Level in dB (A) Leq. during			
		Day Time		Night Time	
		Measured	Limit*	Measured	Limit*
1.	S-E Entrance	56.5	65	46.3	55
2.	S-W Entrance	58.4	65	50.7	55
3.	Center of Site	59.3	65	47.3	55
4.	West Side Corner	59.7	65	46.4	55
5.	East Boundary	57.6	65	48.7	55
6.	Near Site Office	54.5	65	49.8	55

Remark: The results are within limit as per Noise Pollution (Regulation & Control) Rules, 2000.

Note: * Ambient Noise level Limit for Residential area as per Noise Pollution (Regulation & Control) Rules, 2000. Day time is reckoned between 6 A.M. to 10 P.M. & Night time between 10 P.M. to 6 A.M.

E. SOIL ANALYSIS REPORT

Soil samples were collected from Site at 20 cm depth. Analysis results are tabulated in the following Table 5.

Table 5: Quality of Soil Sample

Sr. No.	Parameters	Unit	Results		Reference Method
			Near Site Office	Center of Site	
1.	pH	-	8.7	8.5	IS 2720 : Part 26 : 1987
2.	Moisture Content	%	9.1	7.2	IS 2720 : Part 09: 1992
3.	Sulphate	mg/gm	4.1	3.9	IS 2720 : Part 27 : 1977
4.	Organic Matter	%	3.5	2.2	IS 2720 : Part 22 : 1972
5.	Chloride	%	0.81	1.13	IS 6925: 1973
6.	Copper as Cu	mg/gm	BDL	BDL	APHA 3500-Cu
7.	Total Kjeldhal Nitrogen	mg/gm	0.10	0.16	APHA 4500-N _{ORG}
8.	Zinc as Zn	mg/gm	BDL	BDL	APHA 3500-Zn

BDL: Below Detectable Level

POST ENVIRONMENT MONITORING REPORT

For the Residential Project
“Hill View Residency”

Construction Project

At Kothrud,

Pune, Maharashtra

Period: July’ 2018 – September’ 2018

Developer

M/s. Kumar Beharay Properties LLP

East Street Camp, Pune 411001.

Maharashtra

Prepared by



GREEN CIRCLE, INC.

Vadodara



GREEN CIRCLE, INC.

Integrated HSEQR Consulting Engineers, Scientists & Trainers
(Recognized By Ministry of Environmental and Forests, New Delhi Under EPA 1986 and
GPCB approved Environmental Auditor – Schedule II)
No. Q – 15018/32/2007 - CPW

CERTIFICATE

This is to certify that the post environment monitoring of “Hill View Residency” Kothrud, Pune for M/s. Kumar Beharay Properties LLP has been carried out by M/s. Green Circle, Inc., Vadodara during the period of July’2018 – Sept’ 2018.

The study reveals that there is no negative impact on the environment.

For. Green Circle, Inc.

*Mr. Pradeep Joshi
CEO & Group President*

REGD. OFFICE : Green Empire (Anupushpam), Beside Canara Bank, Nr. Yash Complex, Above Axis Bank, Gotri Main Road, VADODARA -390 021, (Gujarat), India
Tel.: 0265 - 2371028 / 2371269 Email: info@greencircleinc.com Website: www.greencircleinc.com

MUMBAI : Flat No. 6, Ground Floor, Shakuntala Niwas, M. G. Road, Opp. G. H. School, Borivali (E), MUMBAI – 400 066, India
Tel: 022 - 28943090 Telefax: 022 - 28943060

: ALSO AT :

NEW DELHI

HYDERABAD

PUNE

RAIPUR

KOLKATA

: OVERSEAS AT :

AUSTRALIA

OMAN

KUWAIT

AFRICA

VIETNAM

INTRODUCTION:

M/s. Kumar Beharay Properties LLP is the foremost and most preferred real estate developer in India. M/s. Kumar Beharay Properties LLP any is proposing to construction "RKB" Project at S. No 69/5B/2, 68/8 and 70/1 to 17A/1 Kothrud, District Pune, Maharashtra. The Proposed Project has received Environmental Clearance from Ministry of Environment & Forest under the provisions of EIA Notification dtd. 14th September, 2006, subject to compliance of the conditions as per letter No. SEAC-2010/CR.727/TC.2 Dated: 26th December, 2011 As per the instruction in the EC letter, Periodic Environmental Monitoring has been carried out by Green Circle, Inc., Vadodara and submitting required report to concern division regularly.

SCOPE OF WORK:

It includes quarterly monitoring of:

- A.** Ambient Air Quality.
- B.** Water & Sewage quality.
- C.** Noise Level.
- D.** Soil Quality

A. AMBIENT AIR MONITORING:

Ambient Air Quality Monitoring was carried out at two locations within the project site. Eight hourly samples were collected and analyzed for PM₁₀, PM_{2.5}, SO₂, & NO_x as per the standard methods mentioned in Table 1 & the results are summarized in Table 2.

Table No. 1: Standard Method of Analysis for Ambient Air Quality

PM ₁₀ / PM _{2.5}	:	IS 5182 : Part 23 : 2006/ NAAQS Monitoring & Analysis Guidelines Volume- I by CPCB
SO ₂	:	IS 5182 : Part 2 : 2001
NO _x	:	IS 5182 : Part 6 : 1975

Table No. 2: Ambient Air Quality

Sr. No.	Parameter	Units	Result			
			Center of Site	Near Sales Office	NAAQS For 24 Hours	Methods Used
	Sampling locations					
1.	Particulate Matter (PM ₁₀)	µg/m ³	68.2	71.2	100	Gravimetric analysis
2.	Particulate Matter (PM _{2.5})	µg/m ³	27.2	28.4	60	Gravimetric analysis
3.	Sulfur dioxide (SO ₂)	µg/m ³	5.8	6.2	80	Improved West & Geake Method
4.	Oxides of Nitrogen (NO _x)	µg/m ³	9.2	9.9	80	Jacob & Hochheiser Modified Method

Remarks: The results are within limit as per MPCB

Note: NAAQS: National Ambient Air Quality Standards

B. WATER & SEWAGE QUALITY:

One water samples were collected from nearby Bore well to check the quality of the water. Analysis results are compared with IS 10500: 2012 as mentioned in following Table 3:

Table 3: Quality of Water samples

Sr. No.	Parameters	Unit	Bore Well Water	Reference Method	Permissible limit as per IS-10500-2012 for Drinking Water
1.	pH	-	7.2	APHA 4500	6.5-8.5
2.	Temperature	°C	24.9	APHA 2550	NS
3.	Turbidity	NTU	<1	APHA 2130	5
4.	Conductivity	µs/cm	698	APHA 2510	NS
5.	Total Dissolved Solids	mg/l	453	APHA 2540 C	2000
6.	Total Suspended Solids	mg/l	4	APHA 2540 D	NS
7.	Total Hardness	mg/l	221	APHA 2340	600
8.	Ca Hardness	mg/l	154	APHA 3500 Ca	NS
9.	Total Alkalinity	mg/l	127	APHA 2320	600
10.	Chloride	mg/l	242	APHA 4500 Cl	1000
11.	Sulphate	mg/l	155	APHA 4500 SO ₄	400
12.	Copper	mg/l	BDL	APHA 3500 Cu	1.5
13.	Zinc	mg/l	BDL	APHA 3500 Zn	15

Remark: The results are within limit as per IS-10500-2012

Note: BDL = Below Detectable Limit, N.S. = Not Specified

Sewage: Construction of STP is not yet started.

C. NOISE LEVEL MEASUREMENT:

Noise level monitoring was carried out at six locations within the project site as per standard method by using sound level meter and the results are reported in Table 4.

Table 4: Ambient Noise Quality

Sr. No.	Sampling locations	Noise Level in dB (A) Leq. during			
		Day Time		Night Time	
		Measured	Limit*	Measured	Limit*
1.	S-E Entrance	45.1	55	35.8	45
2.	S-W Entrance	49.7	55	40.5	45
3.	Center of Site	46.4	55	38.1	45
4.	West Side Corner	49.6	55	40.2	45
5.	East Boundary	46.8	55	37.5	45
6.	Near Site Office	45.0	55	36.0	45

Note: * Ambient Noise level Limit for Residential area as per Noise Pollution (Regulation & Control) Rules, 2000. Day time is reckoned between 6 A.M. to 10 P.M. & Night time between 10 P.M. to 6 A.M.

E. SOIL ANALYSIS REPORT

Soil samples were collected from Site at 20 cm depth. Analysis results are tabulated in the following Table 5.

Table 5: Quality of Soil Sample

Sr. No.	Parameters	Unit	Results		Reference Method
			Near Site Office	Center of Site	
1.	pH	-	8.5	8.9	IS 2720 : Part 26 : 1987
2.	Moisture Content	%	9.6	7.3	IS 2720 : Part 09: 1992
3.	Sulphate	mg/gm	4.2	3.5	IS 2720 : Part 27 : 1977
4.	Organic Matter	%	3.9	2.9	IS 2720 : Part 22 : 1972
5.	Chloride	%	0.77	1.11	IS 6925: 1973
6.	Copper as Cu	mg/gm	BDL	BDL	APHA 3500-Cu
7.	Total Kjeldhal Nitrogen	mg/gm	0.10	0.14	APHA 4500-N _{ORG}
8.	Zinc as Zn	mg/gm	BDL	BDL	APHA 3500-Zn

BDL: Below Detectable Level

POST ENVIRONMENT MONITORING REPORT

For the Residential Project

“Hill View Residency”

Construction Project

At Kothrud,

Pune, Maharashtra

Period: October’ 2018 – November’ 2018

Developer

M/s. Kumar Beharay Properties LLP

East Street Camp, Pune 411001.

Maharashtra

Prepared by



THE GREEN PEOPLE

GREEN CIRCLE, INC.

Vadodara



GREEN CIRCLE, INC.

Integrated HSEQR Consulting Engineers, Scientists & Trainers
(Recognized By Ministry of Environmental and Forests, New Delhi Under EPA 1986 and
GPCB approved Environmental Auditor – Schedule II)
No. Q – 15018/32/2007 - CPW

CERTIFICATE

This is to certify that the post environment monitoring of “Hill View Residency” Kothrud, Pune for M/s. Kumar Beharay Properties LLP has been carried out by M/s. Green Circle, Inc., Vadodara during the period of Oct’ 2018 – Dec’ 2018.

The study reveals that there is no negative impact on the environment.

For: Green Circle, Inc.

*Mr. Pradeep Joshi
CEO & Group President*

REGD. OFFICE : Green Empire (Anupushpam), Beside Canara Bank, Nr. Yash Complex, Above Axis Bank, Gotri Main Road, VADODARA -390 021, (Gujarat), India
Tel.: 0265 - 2371028 / 2371269 Email: info@greencircleinc.com Website: www.greencircleinc.com

MUMBAI : Flat No. 6, Ground Floor, Shakuntala Niwas, M. G. Road, Opp. G. H. School, Borivali (E), MUMBAI – 400 066, India
Tel: 022 - 28943090 Telefax: 022 - 28943060

: ALSO AT :

NEW DELHI

HYDERABAD

PUNE

RAIPUR

KOLKATA

: OVERSEAS AT :

AUSTRALIA

OMAN

KUWAIT

AFRICA

VIETNAM

INTRODUCTION:

M/s. Kumar Beharay Properties LLP is the foremost and most preferred real estate developer in India. M/s. Kumar Beharay Properties LLP any is proposing to construction "RKB" Project at S. No 69/5B/2,69/8 and 70/1 to 17A/1 Kothrud, District Pune, Maharashtra. The Proposed Project has received Environmental Clearance from Ministry of Environment & Forest under the provisions of EIA Notification dtd. 14th September, 2006, subject to compliance of the conditions as per letter No. SEAC-2010/CR.727/TC.2 Dated: 26th December, 2011. As per the instruction in the EC letter, Periodic Environmental Monitoring has been carried out by Green Circle, Inc., Vadodara and submitting required report to concern division regularly.

SCOPE OF WORK:

It includes quarterly monitoring of:

- A.** Ambient Air Quality.
- B.** Water & Sewage quality.
- C.** Noise Level.
- D.** Soil Quality.

A. AMBIENT AIR MONITORING:

Ambient Air Quality Monitoring was carried out at two locations within the project site. Eight hourly samples were collected and analyzed for PM₁₀, PM_{2.5}, SO₂, & NO_x as per the standard methods mentioned in Table 1 & the results are summarized in Table 2.

Table No. 1: Standard Method of Analysis for Ambient Air Quality

PM ₁₀ / PM _{2.5}	:	IS 5182 : Part 23 : 2006/ NAAQS Monitoring & Analysis Guidelines Volume- I by CPCB
SO ₂	:	IS 5182 : Part 2 : 2001
NO _x	:	IS 5182 : Part 6 : 1975

Table No. 2: Ambient Air Quality

Sr. No.	Parameter	Units	Result			
			Center of Site	Near Sales Office	NAAQS For 24 Hours	Methods Used
1.	Particulate Matter (PM ₁₀)	µg/m ³	75.3	79.4	100	Gravimetric analysis
2.	Particulate Matter (PM _{2.5})	µg/m ³	30.1	31.7	60	Gravimetric analysis
3.	Sulfur dioxide (SO ₂)	µg/m ³	6.3	6.8	80	Improved West & Geake Method
4.	Oxides of Nitrogen (NO _x)	µg/m ³	10.2	10.8	80	Jacob & Hochheiser Modified Method

Remark: The results are within limit as per MPCB

Note: NAAQS: National Ambient Air Quality Standards

B. WATER & SEWAGE QUALITY:

One water samples were collected from nearby Bore well to check the quality of the water. Analysis results are compared with IS 10500:2012 as mentioned in following Table 3

Table 3: Quality of Water samples

Sr. No.	Parameters	Unit	Bore Well Water	Reference Method	Permissible limit as per IS-10500-2012 for Drinking Water
1.	pH	-	7.5	APHA 4500	6.5-8.5
2.	Temperature	°C	25.8	APHA 2550	NS
3.	Turbidity	NTU	<2	APHA 2130	5
4.	Conductivity	µs/cm	728	APHA 2510	NS
5.	Total Dissolved Solids	mg/l	470	APHA 2540 C	2000
6.	Total Suspended Solids	mg/l	6	APHA 2540 D	NS
7.	Total Hardness	mg/l	234	APHA 2340	600
8.	Ca Hardness	mg/l	165	APHA 3500 Ca	NS
9.	Total Alkalinity	mg/l	150	APHA 2320	600
10.	Chloride	mg/l	274	APHA 4500 Cl	1000
11.	Sulphate	mg/l	161	APHA 4500 SO ₄	400
12.	Copper	mg/l	BDL	APHA 3500 Cu	1.5
13.	Zinc	mg/l	BDL	APHA 3500 Zn	15

Remark: The results are within limit as per IS-10500-2012

Note:BDL = Below Detectable Limit,N.S. = Not Specified

Sewage: Construction of STP is not yet started.

C. NOISE LEVEL MEASUREMENT:

Noise level monitoring was carried out at six locations within the project site as per standard method by using sound level meter and the results are reported in Table 4.

Table 4: Ambient Noise Quality

Sr. No.	Sampling locations	Noise Level in dB (A) Leq. during			
		Day Time		Night Time	
		Measured	Limit*	Measured	Limit*
1.	S-E Entrance	46.8	55	37.2	45
2.	S-W Entrance	48.7	55	39.5	45
3.	Center of Site	49.6	55	40.2	45
4.	West Side Corner	49.1	55	41.0	45
5.	East Boundary	47.3	55	38.3	45
6.	Near Site Office	44.5	55	35.6	45

Remark: The results are within limit as per Noise Pollution (Regulation & Control) Rules, 2000.

Note: * Ambient Noise level Limit for Residential area as per Noise Pollution (Regulation & Control) Rules, 2000. Day time is reckoned between 6 A.M. to 10 P.M. & Night time between 10 P.M. to 6 A.M.

E. SOIL ANALYSIS REPORT

Soil samples were collected from Site at 20 cm depth. Analysis results are tabulated in the following Table 5.

Table 5: Quality of Soil Sample

Sr. No.	Parameters	Unit	Results		Reference Method
			Near Site Office	Center of Site	
1.	pH	-	8.4	8.7	IS 2720 : Part 26 : 1987
2.	Moisture Content	%	9.2	7.5	IS 2720 : Part 09: 1992
3.	Sulphate	mg/gm	4.1	3.7	IS 2720 : Part 27 : 1977
4.	Organic Matter	%	3.8	2.6	IS 2720 : Part 22 : 1972
5.	Chloride	%	0.79	1.12	IS 6925: 1973
6.	Copper as Cu	mg/gm	BDL	BDL	APHA 3500-Cu
7.	Total Kjeldhal Nitrogen	mg/gm	0.11	0.15	APHA 4500-N _{ORG}
8.	Zinc as Zn	mg/gm	BDL	BDL	APHA 3500-Zn

BDL: Below Detectable Level

ANNEXURE – I**1. NAME AND ADDRESS OF THE PROJECT PROPOSED:**

A proposed project is a construction named as "Hill View Residency" Residential project at S. No 69/5B/2,69/8 and 70/1 to 17A/1 Kothrud, District Pune, Maharashtra

2. PROJECT PROPOSAL:

Residential -19 (P+2) with 893 flats
Commercial – one (G+1)

3. AREA STATEMENT:

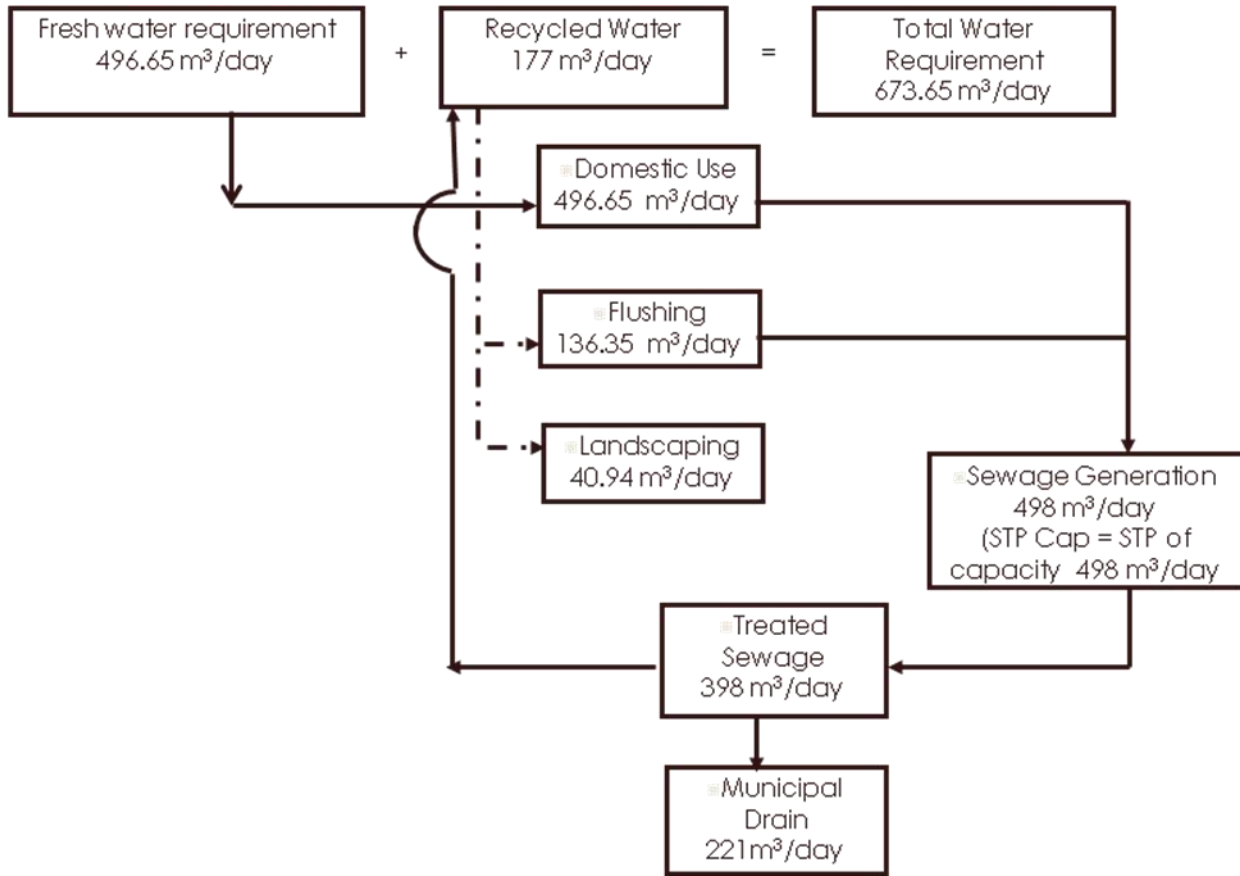
Sr.No	Area Statement	AREA in Sq. m.
1.	Area of Plot	58370.91
2.	Deductions For a. Area under open Space b. Area for transformer	6749.98 605.00
3.	Balance area of plot	51015.96
4.	ADD FSI	31760.09
a	18m wide DP road	6481.89
b	12 m wide Service road	3665.28
c	9m wide internal road	17855.59
d	40% Amenity TDR	20406.38
5.	Total Area	82776.05
6.	Residential FSI & Floor space permissible	82776.05
7.	Residential FSI & Floor space proposed	80687.11
8.	Commercial FSI & Floor space permissible	2088.94
9.	Commercial FSI & Floor space permissible	2002.50
10.	Total commercial and residential FSI	82689.61

PARKING STATEMENT

	Required Parking as per DC	Parking Provided
Cars	1208	1292
Scooters	2446	2477
Cycles	2766	2766

4. WATER CONSUMPTION:

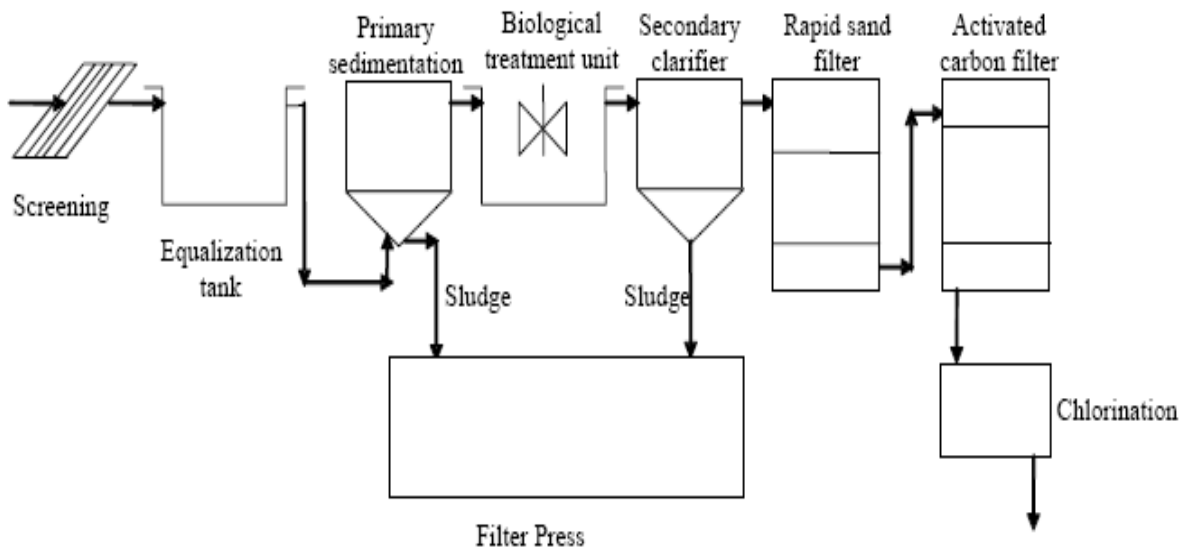
- Total Water Requirement = 673.65 m³/day
- Fresh Water Requirement = 496.65 m³/day
- Total Sewage Generation = 498 m³/day
- STP Capacity = 498 m³/day
- The treated water shall be used for flushing & Landscaping.



5. SEWAGE TREATMENT PLANT:

Total sewage generation during operation will be 498 m³/day. Sewage Treatment Plants (STP) of capacity 498 m³/day is proposed to treat generated sewage at site. The treated sewage will be 398 m³/day out of which 177 m³/day will be reused for Landscaping & Flushing. Excess treated water 221 m³/day will be disposed off in to the municipal sewer line.

The process flow diagram for sewage treatment plant is shown below:



SEWAGE CHARACTERISTICS:

Sr. No.	Parameter	Unit	Raw sewage characteristics	Treated sewage Characteristics
1.	pH	--	7.0-10.0	6.0-7.0
2.	BOD 5 days at 27°C	mg/l	250-350	< 5 mg/lts
3.	COD	mg/l	600	< 15 mg/lts
4.	Suspended Solids	mg/l	150	< 10 mg /lt.

6. SOLID WASTE GENERATION:

Solid Waste Generation :

During Construction Phase:

Solid waste from Worker: 38 kg/day

During Operation Phase:

a) Biodegradable : 1071.6 Kg/day

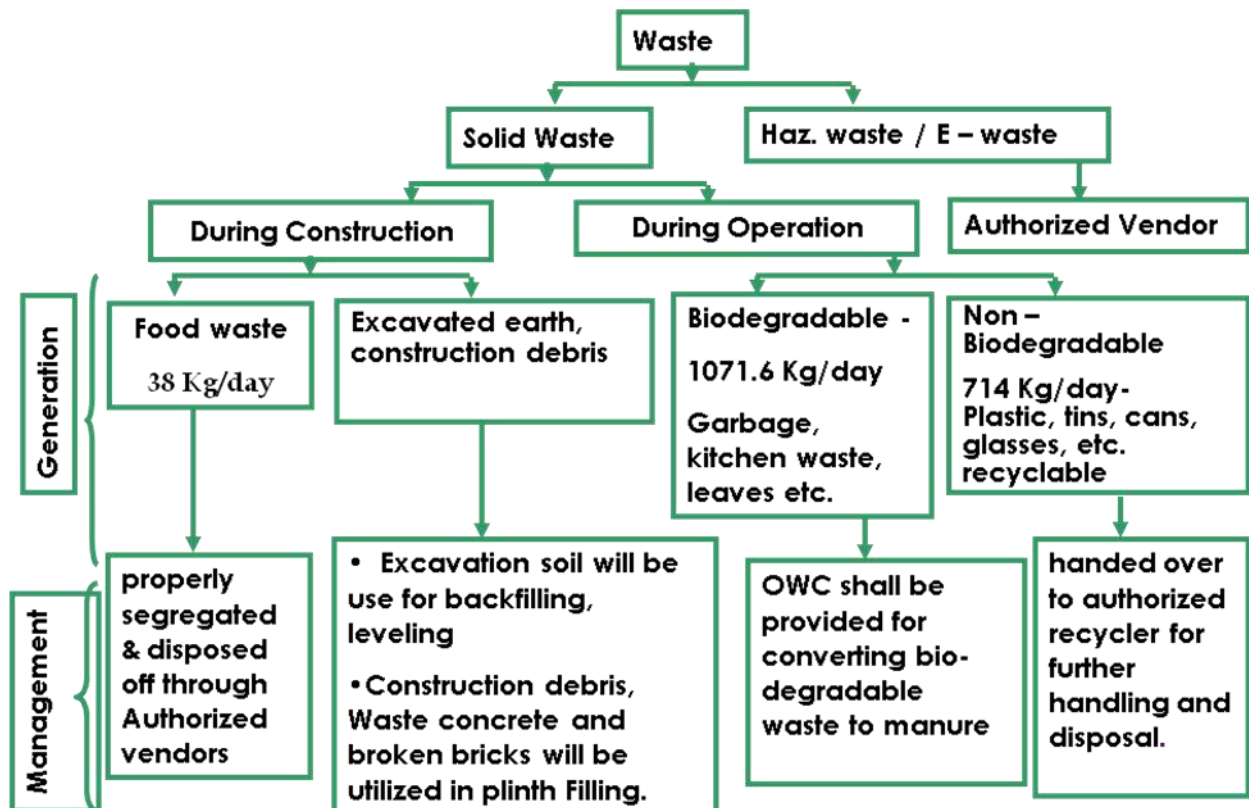
b) Non-biodegradable : 714 Kg/day

c) STP Sludge : 20 kg/day

• The segregation of waste will be done on the basis of Biodegradable & Non-biodegradable

• Disposal :

1. During construction phase generated debris will be used for low-land leveling, secondary concrete, below roads.
2. Excavated soil will be used for refilling or foundation trenches and balance quantity will be handed over to the authorized vendors.
3. Non Biodegradable waste would be disposed through authorized contractor.
4. Biodegradable waste will be treated as organic waste converter.
5. STP Sludge would be used as manure for gardening.



7. DETAILS OF POWER REQUIREMENT:

SR. NO.	POWER REQUIREMENT	
1.	Source of power supply : MSEB	
2.	During Construction Phase	63 KVA
3.	During Operation Phase, a) Connected Load	9500 KVA
	b) Demand Load	3800 KVA
4.	DG set as Power Back – up during operation	125 KVA X 1 250 KVA X 2 500 KVA X 2

ENERGY CONSERVATION MEASURES

- All Fluorescent lights/LED with Electronic ballast in place of Copper chokes & Tube - T5 type, in place of T8 type, to reduce the power consumption by 12 watts per lamp & increase in lumens by 14%. Further reduction by use of sensors (Power saving 2,40,000KWH/year). $r/l = 5000 \times 8 \times 0.1 \times 6 \text{hr/day} \times 300 \text{d/yr} \times 5$
- Hot water requirement for low rise, will be met by Solar water heating system (Power saving 3,60,000 KWH /year).
- All Buildings/ Areas will be equipped with Capacitor Banks, with heavy duty compact gas filled capacitors with harmonic filters to maintain THD's less than 10% with auto power factor correction panels to be connected with LT panels at load end. This is to reduce the power losses caused by low power factor & Harmonic distortions of power wave form.

- Electrical distribution system will be monitored regularly and energy consumption will have check meter, so that any energy loss will be detected and will be rectified immediately.
- Insulated Roof to reduce heat gain.
- Common light load requirement in high rise buildings/ street lighting will be met by use of solar if feasible. Energy will be saved 50,000 KWH /year.

8. TREE PLANTATION:

R.G. area/ Landscape Area:-	16347.3 Sq. m.
New Trees Plantations:-	504 nos.
<u>Criteria For Species Selection:-</u> <ul style="list-style-type: none">▪ Favorable For the Climatic Condition Native Species.▪ Require Low Maintenance.▪ Improve Microclimatic Condition Within Site.▪ Provide Shade and Create Avenue.▪ Act As a Buffer & Control Air & Noise Pollution.	

LIST OF TREES PROPOSED

SR NO.	VARIETY	C/C DISTANCE	QUANTITY
1.	KHAYA	5.00M	32
2.	TERMINILIA CATAPPA	5.00M	30
3.	MIMOSOPS ELENGI	5.00M	57
4.	CASSIA FISTULA	5.00M	59
5.	PARIJATAKA	3.00M	92
6.	FILICIIUM DECIPENS	4.50M	26
7.	PLUMERIA ALBA	3.00M	33
8.	NEDAMAREKIA KADAMBA	5.00M	22
9.	MICHELIA CHAMPAKA	3.00M	38
10.	PUTRANJIRA	3.00M	26
11.	MAHAGONY	5.00M	23
12.	CYCUS PALM	1.50M	03
13.	FICUS BENJAMINA	1.50M	12
14.	CASSIA PINK	5.00M	51
TOTAL NO. OF TREES			504 nos.
LAWN AREA = 4871.84 Sqmt			

9. ENVIRONMENTAL MANAGEMENT PLAN

Sr. No.	Environmental Component	Potential Impacts	Potential source of Impact	Controls through EMP and Design	Impact Evaluation
1.	Water	Water contamination	Construction Phase Domestic waste water from workers	Septic tank will be provided and disposed into municipal sewer	No adverse impact
			Surface runoff from site.	Silt traps and diversion ditches will be constructed to control surface run off.	No adverse impact
			Operation phase Discharge of domestic wastewater.	Generated sewage will be transferred to STP for its treatment of 700 m ³ /day capacity.	No adverse impact
			Surface runoff from site	Rain water harvesting - ground water recharging will be done through percolation pits thereby prevent run off and facilitate water percolation.	Positive impact.
2.	Air Quality	Dust Emission	Construction Phase Construction activities	<ul style="list-style-type: none"> Dust mask will be provided to prevent worker exposure of dust. Barricading the site periphery by tin sheets. Sprinkling of water will be done for dust suppression. 	Temporary & insignificant impact.

Sr. No.	Environmental Component	Potential Impacts	Potential source of Impact	Controls though EMP and Design	Impact Evaluation
		Gaseous emissions of pollutants i.e. SPM, SO ₂ , NO _x and HC	Construction equipments and vehicular movement.	<ul style="list-style-type: none"> Periodic maintenance of construction equipments will be done. Heavy vehicle must be checked for PUC certificate. 	Temporary & insignificant impact.
		Gaseous emissions of SPM, SO ₂ , NO _x and HC.	<u>Operation Phase</u> DG Set	Applicable height of stack is given. Also it is operated only during absence of the normal electricity.	No significant impact
			Emissions from vehicular traffic.	<ul style="list-style-type: none"> Adequate wide approach road is proposed for smooth vehicular movement. Road side plantation will further act as sink to gaseous emission. 	No significant impact
3.	Noise	Increase in noise level.	<u>Construction Phase</u> Operation of construction equipments and vehicular movement.	<p>Use of well-maintained equipment fitted with silencers.</p> <p>Providing noise shields near the heavy construction operations.</p> <p>Noisy operations will be limited to day time only.</p>	No significant impact.

Sr. No.	Environmental Component	Potential Impacts	Potential source of Impact	Controls though EMP and Design	Impact Evaluation
				Ear plug and muffs will be provided to workers.	
			Operation Phase Vehicles movement	Wide road and ample parking space will be provided to reduce vehicular noise	No significant impact
			D.G. sets operations	No significant noise pollution.	No impact.
4.	Land	Land contamination by construction debris and solid waste.	Construction Phase Disposal of construction debris & solid waste.	<ul style="list-style-type: none"> Construction debris will be collected and used for leveling the site. Solid waste from labours use will be collected in collection bins and disposed off to approve municipal landfill site. 	No significant impact.
			Excavated soil	Top soil will be used for landscaping	No significant impact.
			Metallic waste	Metallic waste will be sold to vendors for reprocessing	No significant Impact.
			Operation Phase Municipal solid waste like rubbish, paper, plastic garbage etc.	Efficient solid waste collection and storage facility is proposed.	No significant impact
				Segregation of waste as biodegradable and non biodegradable waste will be done.	Compost material will be used as manure in landscaping.

Sr. No.	Environmental Component	Potential Impacts	Potential source of Impact	Controls though EMP and Design	Impact Evaluation
				Biodegradable waste will be treated by vermin composting while non biodegradable waste will be given to approved vendors for disposal.	
5.	Ecology	No significant Impact	<u>Construction Phase</u> <ul style="list-style-type: none"> Site Development during construction 	<ul style="list-style-type: none"> There is a plain terrain 	<ul style="list-style-type: none"> --
			<u>Operational Phase</u> <ul style="list-style-type: none"> Increase of green cover 	<ul style="list-style-type: none"> Suitable green belt will be developed as per landscaping plan at site. 	<ul style="list-style-type: none">
6.	Traffic Pattern	Increase of vehicular movements	<u>Construction Phase</u> <ul style="list-style-type: none"> Heavy Vehicular movement at site 	<ul style="list-style-type: none"> Heavy Vehicular movement will be restricted to daytime only and adequate parking facility will be provided. 	--
			<u>Operational Phase</u> <ul style="list-style-type: none"> Traffic due to commercial once the site is operational 	<ul style="list-style-type: none"> Vehicular movement will be regulated inside the site with adequate roads and parking. 	

Sr. No.	Environmental Component	Potential Impacts	Potential source of Impact	Controls through EMP and Design	Impact Evaluation
7.	Socio-Economic	Increase in Job opportunities	<u>Construction Phase</u> <ul style="list-style-type: none">• Job opportunities for the local residents	--	

MAHARASHTRA POLLUTION CONTROL BOARD

Phone : 24020781 / 24010437

Fax : 24024068 / 24044532

Email : mpcb@vsnl.net

Visit At : <http://mpcb.gov.in>



Kalpataru Point, 2nd, 3rd & 4th Floor,
Opp. Cineplanet, Near Sion Circle,
Sion (E), Mumbai-400022.

EIC No: PN-13794-12

Infrastructure Project/LSI

Consent No. MPCBHQ/ROHQ/Pune/CE/CC/ 523

Date: 23/08/2012

Consent to Establish under Section 25 of the Water (Prevention & Control of Pollution) Act, 1974 & under Section 21 of the Air (Prevention & Control of Pollution) Act, 1981 and Authorization / Renewal of Authorization under Rule 5 of the Hazardous Wastes (Management, Handling & Transboundary Movement) Rules 2008

CONSENT is hereby granted to,

M/s. Rathi, Kumar & Beharay
S. No: 69/5B/2, 68/8 & 70/1 to 17A/1, Kothrud,
Pune, Maharashtra.

located in the area declared under the provisions of the Water Act, Air act and Authorization under the provisions of HW(M&H) Rules and amendments thereto subject to the provisions of the Act and the Rules and the Orders that may be made further and subject to the following terms and conditions:

1. The Consent to Establish is valid up to Commissioning of the Project or 5 years whichever is earlier.

For development of land/ plot as new construction activities for construction of residential cum commercial project named as **M/s. Rathi, Kumar & Beharay**, S. No: 69/5B/2, 68/8 & 70/1 to 17A/1, Kothrud, Pune, Maharashtra on total plot area of 58,371 sq.mtr, Proposed BUA [As per FSI] of 82,689.61 sq.mtr & Total Construction BUA of 1,07,068.11 sq.mtr including utilities of residential cum commercial project as per construction commencement certificate issued by local body.

2. CONDITIONS UNDER WATER ACT:

- (i) The daily quantity of sewage effluent from construction project shall not exceed 498.0 M³.
- (ii) **Sewage Effluent Treatment:** The applicant shall provide comprehensive treatment system as is warranted with reference to influent quality and operate and maintain the same continuously so as to achieve the quality of treated effluent as per the following standards.



1	pH	Not to exceed	6.5 to 9.0
2	Suspended Solids	Not to exceed	100 mg/l.
3	BOD 3 Days 27 degree C	Not to exceed	100 mg/l.
4	Fecal Coliform	Not to exceed	500/100/1 mg/l.
5	Residual Chlorine	Not to exceed	01 mg/l.
6	Detergent	Not to exceed	01 mg/l.
7	Floating matters	Not to exceed	10 mg/l
8	COD	Not to exceed	250 mg/l

- (iii) **Sewage Effluent Disposal:** The treated domestic effluent shall be 80% recycled and reused for flushing, fire fighting and cooling of Air conditioners and remaining shall be discharged to Municipal sewer. In no case, effluent shall find its way to any water body directly/indirectly at any time.

[The project proponent authorities should opt environmental friendly technologies like ozonation, UV treatment etc by replacing chlorination]

- (iv) **Non-Hazardous Solid Wastes:**

Sr.No	Type of Segregated solid waste	Quantity Kg/D	Treatment	Disposal
1.	Wet Garbage	1017.60	Composting	Use as Manure
2.	STP Sludge	75		
2.	Dry Garbage	714	..	landfill site

3. **Other Conditions (during Construction Phase):**

- All activities shall be in resonance with the provisions of Indian Forest Act, 1927 (16 of 1927), Forest (Conservation) Act, 1980 (69 of 1980) and Wildlife (Protection) Act, 1972 (53 of 1972), and special notification published for area wherever applicable and all the Environmental Statutes and Instruments.
- This Consent to Establish is issued only for New Construction/Developing Construction Project purposes.
- No quarrying activities shall be commenced in the area unless appropriate permissions are obtained for a limited quarrying material required for construction of local residential housing and traditional road maintenance work, provided that such quarrying is not done on Forest Lands and the material is not exported to the outside area.
- There shall be no felling of trees whether on Forest, Government, Revenue or Private lands except as per prevailing Rules.
- Extraction of Groundwater for the project shall require prior permission of the State Ground Water Authority or other relevant authorities, as applicable.
- Near the activities that are related to water (like activity of water parks, water sports) and/or in the vicinity of lake, Dissolved Oxygen shall not be less than 5 mg/liter.
- In order to ensure that the water from this project do not enter into outside environment, the nallas crossing the township/complex premises, shall be lined, covered and made water tight by the applicant within the premises with intermittent inspection of chambers following good engineering practices as per the regulations of local body.
- The Applicant shall prepare management plan for water harvesting, roof-water reclamation, water/storm water conservation and implement the same before handling over of complex for occupation.
- Applicant shall provide fixtures for showers, toilet, flushing and drinking should be of low flow either by use of aerators or pressure reducing devices or sensor based control.



10. The Applicant shall draw plans for the segregation of solid wastes into biodegradable and non-biodegradable components. The biodegradable material shall be recycled through scientific in-house composting (i.e vermi-composting facility within premises) with the approval of local body. The proper demarked area shall be identified for collection & storage of MSW properly which, shall be finally disposed off at approved Municipal Solid Waste landfill site of local body environmentally acceptable location and method. It is clarified that the term solid waste includes domestic, commercial, and garden wastes, but does not include hazardous and bio-medical wastes. The activities of bio-composting and engineered landfill shall be as per the Municipal Solid Waste (M&H) Rules, 2000
11. Applicant shall be responsible to take adequate precautionary measures as detailed in this consent.
12. The applicant/generator shall be responsible for safe and scientific collection, transportation, treatment and disposal of Bio-Medical Waste as per the provisions made under the Bio-Medical Waste (Management & Handling) Rules, 1998. Any activity as defined under BMW (M & H) Rules has to obtain a separate Authorization from Maharashtra Pollution Control Board.
13. For disinfections of waste water ultra violet radiation shall be used in place of chlorination.
14. Vehicles hired for construction activities should be operated only during non peak hours.
15. Ready mixed concrete used in building construction should apply separately for consent from the Board.
16. Applicant, during the construction stage shall provide
 - a. Septic tank and soak pit of adequate capacity for the domestic effluent generated due to workers residing at site.
 - b. Proper loading and unloading of construction material, excavated material and its proper disposal as per MSW (M&H) Rules 2000.
 - c. Cutting of trees is not permitted, however in unavoidable conditions necessary permission from the local body shall be obtained.
 - d. Green belt of 33% of the open space shall be developed.
17. E-Waste shall be disposed to authorized re processor.

4. The applicant shall comply with the provisions of the Water (Prevention & Control of Pollution) Cess Act, 1977 (to be referred as Cess Act) and amendment Rules, 2003 there under,

The daily water consumption for the following categories is as under:

(i) Domestic	...	673.65 CMD
(ii) Water gets Polluted & Pollutants are Biodegradable CMD
(iii) Water gets Polluted, Pollutants are not Biodegradable & Toxic CMD
(iv) Industrial Cooling, spraying CMD

The applicant shall regularly submit to the Board the returns of water consumption in the prescribed form and pay the Cess as specified under Section 3 of the said Act.

5. CONDITIONS UNDER AIR (Prevention & Control of Pollution) ACT, 1981:

- (i) The Applicant may install 4-nos of diesel generating sets (DG Sets), of capacity 500 KVA, (250 KVA x 2-Nos), 125 KVA and shall be equipped with comprehensive control system as is warranted with reference to generations of emissions and operate and maintain the same continuously so as to achieve the level of pollutants to the following standards:



a. Standards for Emissions of Air Pollutants:

- | | | |
|-------------------------------|---------------|------------------------|
| (i) SPM/TPM | Not to exceed | 150 mg/Nm ³ |
| (ii) SO ₂ (DG Set) | Not to exceed | 25 Kg/day |

(ii) The following measures shall be taken:

- a. Adequate mitigation measures shall be taken to control emissions of SO₂, NO_x, SPM, and RSPM.
- b. Applicant shall achieve following Ambient Air Quality standards.
 1. SPM Not to Exceed (Annual Average) 140 µg/ m³
Not to Exceed (24 hours) 200 µg/ m³
 2. SO₂ Not to Exceed (Annual Average) 60 µg/ m³
Not to Exceed (24 hours) 80 µg/ m³
 3. NO_x Not to Exceed (Annual Average) 60 µg/ m³
Not to Exceed (24 hours) 80 µg/ m³
 4. RSPM Not to Exceed (Annual Average) 60 µg/ m³
Not to Exceed (24 hours) 100 µg/ m³

(iii) The applicant shall observe the following fuel pattern:-

Sr. No.	Type Of Fuel	Quantity
1	Diesel	80 Ltrs/Hr

(iv) The applicant shall erect the chimney(s) of the following specifications:-

Sr. No.	Chimney Attached To	Height above the roof of building in which it is installed
1.	DG Set 500 KVA (250 KVA x 2-Nos) 125 KVA	3.5 mtrs 2.0 mtrs each 1.0 mtrs

(v) Conditions for D.G. Set:

1. Noise from the D.G. Set should be controlled by providing an acoustic enclosure or by treating the room acoustically.
2. Industry should provide acoustic enclosure for control of noise. The acoustic enclosure/ acoustic treatment of the room should be designed for minimum 25 dB (A) insertion loss or for meeting the ambient noise standards, whichever is on higher side. A suitable exhaust muffler with insertion loss of 25 dB (A) shall also be provided. The measurement of insertion loss will be done at different points at 0.5 meters from acoustic enclosure/room and then average.
3. The industry shall take adequate measures for control of noise levels from its own sources within the premises in respect of noise to less than 75 dB(A) during day time and 70 dB(A) during the night time. Day time is reckoned between 6 a.m. to 10 p.m and night time is reckoned between 10 p.m to 6 a.m.
4. Industry should make efforts to bring down noise level due to DG set, outside industrial premises, within ambient noise requirements by proper siting and control measures.
5. Installation of DG Set must be strictly in compliance with recommendations of DG Set manufacturer.
6. A proper routine and preventive maintenance procedure for DG set should be set and followed in consultation with the DG manufacturer which would help to prevent noise levels of DG set from deteriorating with use.
7. D.G. Set shall be operated only in case of power failure.
8. The applicant should not cause any nuisance in the surrounding area due to operation of D.G. Set.



(vi) Other Conditions:

- a) The applicant shall provide ports in the chimney/(s) and facilities such as ladder, platform etc. for monitoring the air emissions and the same shall be open for inspection to/and for use of the Board's Staff. The chimney(s) vents attached to various sources of emission shall be designated by numbers such as S-1, S-2, etc. and these shall be painted/ displayed to facilitate identification.
- b) Water spraying shall be done on ground to avoid fugitive emissions.
- c) Construction material shall be carried in enclosed vehicles during construction activities.
- d)

(vii) Conditions for Utilities like Kitchen, Eating Places etc:

1. The kitchen shall be provided with exhaust system chimney with oil catcher connected to chimney through ducting.
2. The toilet shall be provided with exhaust system connected to chimney through ducting.
3. The air conditioner shall be vibration proof and the noise shall not exceed 68 dB (A).
4. The exhaust hot air from A.C. shall be attached to Chimney at least 5 mtrs. higher than the nearest tallest building through ducting and shall discharge into open air in such way that no nuisance is caused to neighbors.

(viii) The Applicant shall take adequate measures for control of noise levels from its own sources within the complex (residential cum Commercial) in respect of noise to less than 55 dB(A) during day time and 45 dB(A) during the night time. Daytime is reckoned as between 6 a.m. to 10 p.m. and Nighttime is reckoned between 10 p.m. to 6 a.m.

- (ix) Construction equipments generating noise of less than 65/90 db(A) are permitted.
- (x) No construction work is permitted during nighttime.

6. CONDITIONS UNDER HAZARDOUS WASTE (MANAGEMENT, HANDLING & TRANSBOUNDARY MOVEMENT) RULES, 2008:

(i) The applicant shall handle hazardous wastes as specified below.

7. The applicant shall certify that the bricks used in construction are manufactured using the ash from Thermal Power stations if it is within a radius of 100 km. from Thermal Power Plant and submit the names of bricks manufacturer. The applicant shall use fly ash based material/products as per the provisions of fly ash Notification of 14.09.1999 and as amended on 27.08.2003.
8. **The applicant shall obtain Consent to Operate from Maharashtra Pollution Control Board before commissioning of the project.**
9. The applicant shall adopt environment friendly technology in development of the project.
10. The applicant shall take the proper remediation measures to ensure that the ground water and soil contamination is prevented and follow due diligence at the construction stage.
11. Energy conservation measures like installation of solar panels for lighting the area outside the building should be integrated part of the project design.
12. The applicant shall use fly ash based material/products as per the provisions of fly ash Notification of 14.09.1999 and as amended on 27.08.2003.

13. This Board reserves the right to amend or add any conditions in this consent and the same shall be binding on the Applicant.
14. The applicant shall provide Environmental friendly road transportation by adopting mechanical type closed trucks for transportation of minerals & metals / construction debris with effect from 1/04/2012.
15. The applicant shall comply with the conditions stipulated in Environment Clearance granted by GOM, vide no: SEAC-2010/CR.727/TC.2, dt: 26/12/2011.
16. The applicant shall comply with the guidelines for High rise building stipulated in office memorandum of MoEF, GOI issued vide no: 21-270/2008-IA.III, dt: 07/02/2012.
17. This is issued pursuant to the decision of Consent Committee of the Board in its meeting held on 8th August 2012 and approval of the Chairperson of the Board.
18. The applicant shall submit Bank Guarantee of Rs. 10.0 Lakhs towards the compliance of consent conditions at Regional Office, MPCB, Pune within 15-days.
19. The Capital investment of the project is Rs. 207.0 Cr.



(Handwritten signature)

(Milind Mhaiskar)
Member Secretary

To,
M/s. Rathi, Kumar & Beharay
S. No: 69/5B/2, 68/8 & 70/1 to 17A/1, Kothrud,
Pune, Maharashtra.

Copy to-

1. Regional Officer, MPCB, Pune - He is directed to obtain necessary Bank Guarantee from the applicant and ensure compliance of consent conditions
2. Sub Regional officer, Pune-II, MPCB,
3. Chief Accounts Officer, Mumbai, MPCB,

Received consent fee of-

Sr. No.	Amount	DD. No.	Date	Drawn On
1.	Rs. 4,14,000/-	010731	27/03/2012	ICICI Bank
2.	Rs. 100/-	010732	27/03/2012	ICICI Bank

4. Cess Branch, MPCB, Mumbai.

5. Master file.

Public Notice**English News Paper Advertisement:****Marathi News Paper Advertisement:**

PROJECT STATUS REPORT

BACKGROUND

EC No.	:	Environmental Clearance (SEIAA-EC-0000000538, Dated: 27th November, 2018)
Project name	:	"Hill View Residency"
Project location	:	S. No 69/5B/2,69/8 and 70/1 to 17A/1 Kothrud, District Pune, Maharashtra
Developer name	:	Kumar Beharay Properties LLP
Developers address	:	Kumar Capital, 1 st Floor, 2413, east Street Camp, Pune 411001. Maharashtra

Status updated on : **Nov, 2018**

Activity Phase of project : Phase-I Construction Work Started

CONSTRUCTION DETAILS:

Sr. No	Building Name/ other	Current status of Work
1.	"K" Building	Completed
2.	"L" Building	Completed
3	"A" Building	RCC complete
4	"B" Building	Finishing work in progress
5	"C" Building	completed
6	"J" Building	Completed
7	"O" Building	RCC 6 th slab complete
8	"N" Building	RCC 6 th slab complete
9	Gardening/Landscape	50% completed
10	Club House	Completed
11	STP	Installed (not in operation)
12	RWH	50% Completed
13	Internal Roads	40% completed

Note: - Only Phase – I Construction work Started & Phase – II Work Yet Not Started